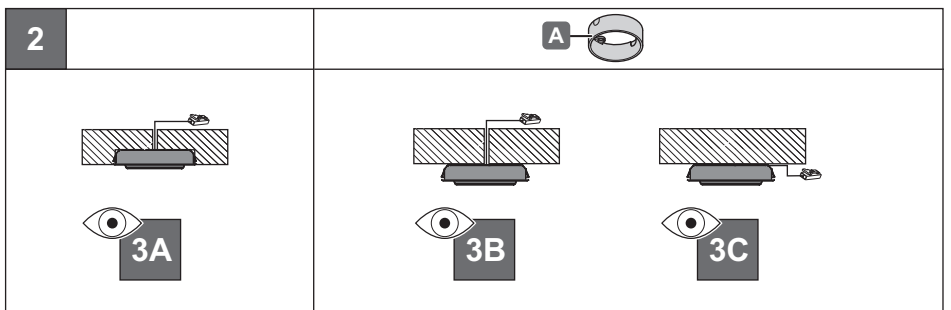
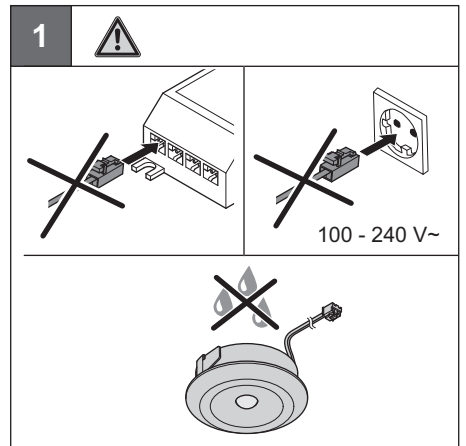
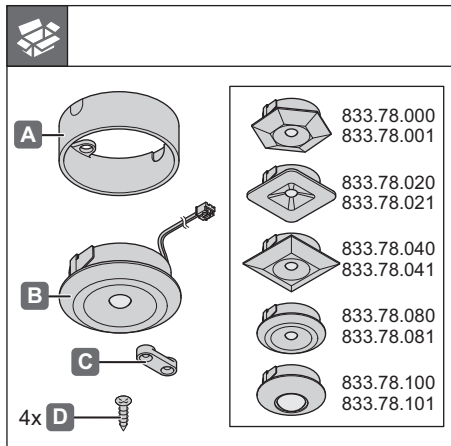




LED 4003, LED 4004
LED 4005, LED 4006
LED 4007

350 mA System		K	W	T _A			
LED 4003	833.78.040	3000 K	1 W	-20 °C – +35 °C -4 °F – +95 °F	36x36x12	≥ 46x46x22	
	833.78.041	6000 K					
LED 4004	833.78.080	3000 K					
	833.78.081	6000 K					
LED 4005	833.78.100	3000 K					
	833.78.101	6000 K					
LED 4006	833.78.000	3000 K					
	833.78.001	6000 K					
LED 4007	833.78.020	3000 K					
	833.78.021	6000 K					



HDE 24.07.2012

732.28.290

