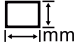

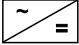


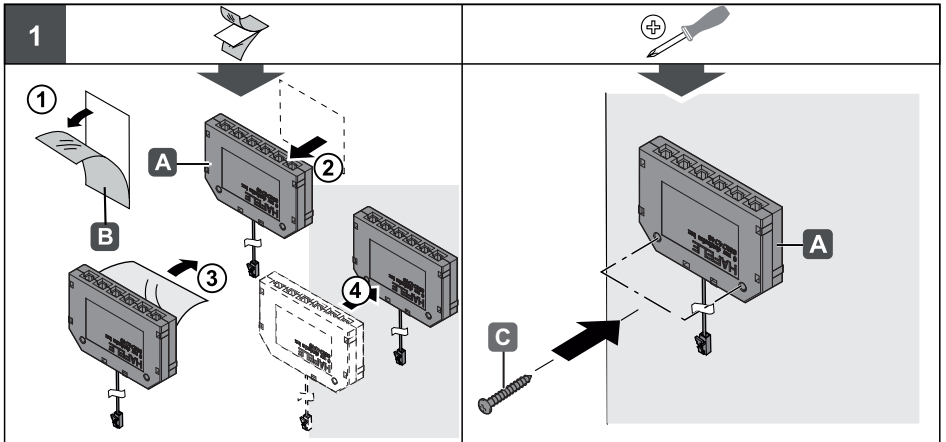
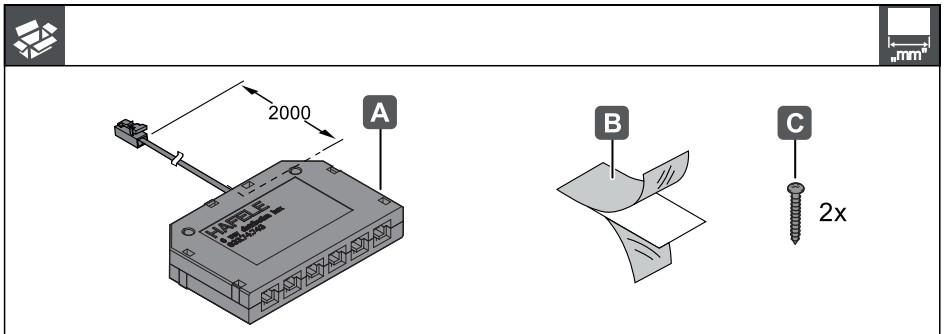




6-Way Distributor

		W	 mm	 mm	
833.74.798		42W	58.5 x 38.2 x 10.2	≥ 68.5 x 48.2 x 20.2	Loox 12 V
833.77.724		84W			Loox 24 V



732.28.244

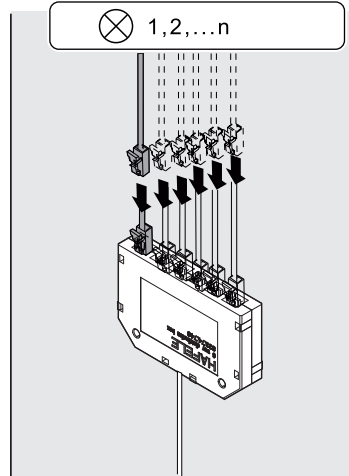
HDE 22.02.2022

i

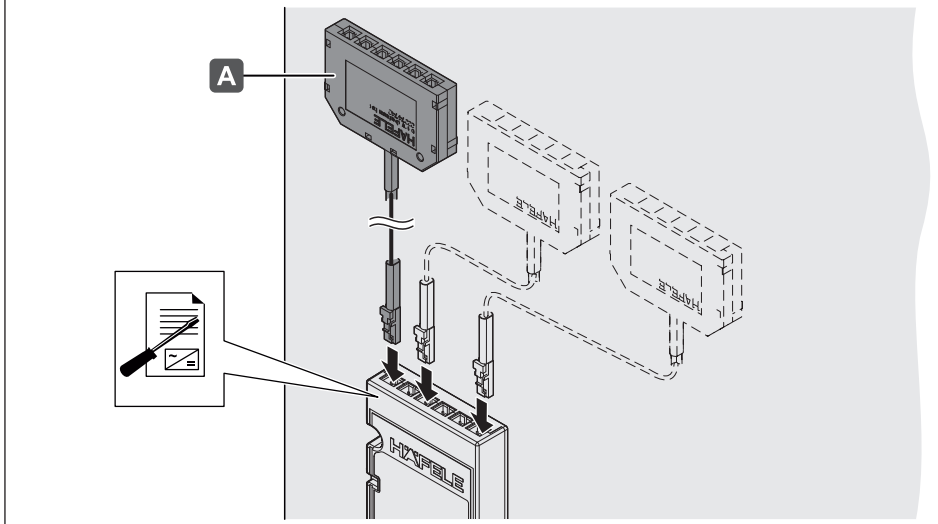
i

833.74.960 <small>12 V System</small>	833.74.964 <small>12 V System</small>
833.74.961 <small>24 V System</small>	833.74.965 $\otimes_1 + \otimes_2 + \dots \leq 42 \text{ W}$
833.77.945 <small>24 V System</small>	833.77.949 <small>24 V System</small>
833.77.946 $\otimes_1 + \otimes_2 + \dots \leq 20 \text{ W}$	833.77.950 <small>24 V System</small>
833.74.962 <small>12 V System</small>	$\otimes_1 + \otimes_2 + \dots \leq 84 \text{ W}$
833.74.963 <small>24 V System</small>	
833.77.947 <small>24 V System</small>	
833.77.948 $\otimes_1 + \otimes_2 + \dots \leq 40 \text{ W}$	

$\otimes_1 = \dots \text{ W}$
 $\otimes_2 = \dots \text{ W}$
 $\otimes_n = \dots \text{ W}$
 $\dots \text{ W}$



2



732.28.244

HDE 22.02.2022