

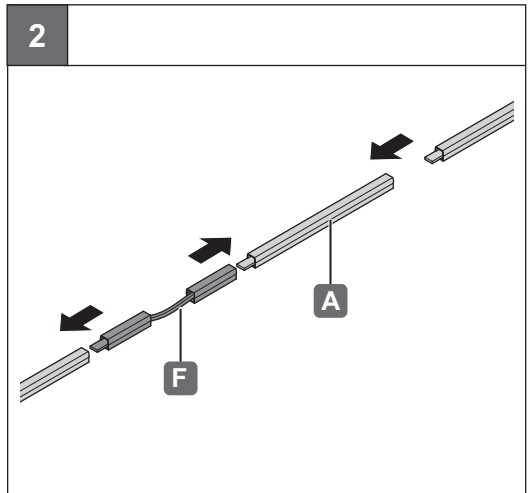
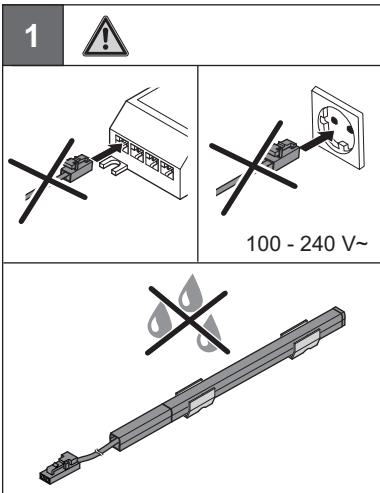
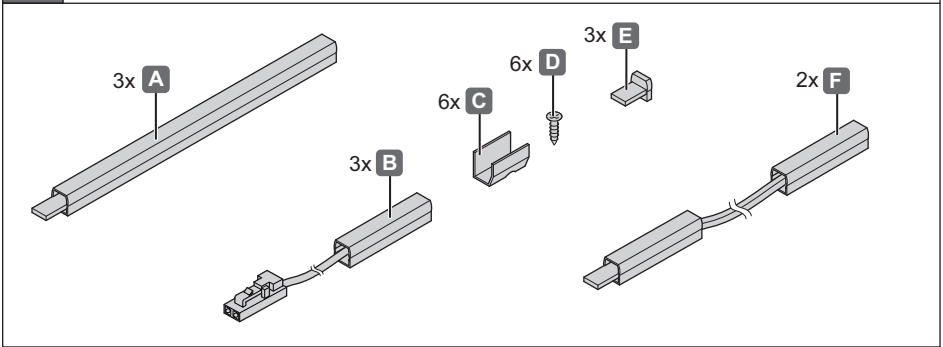


LED 2017

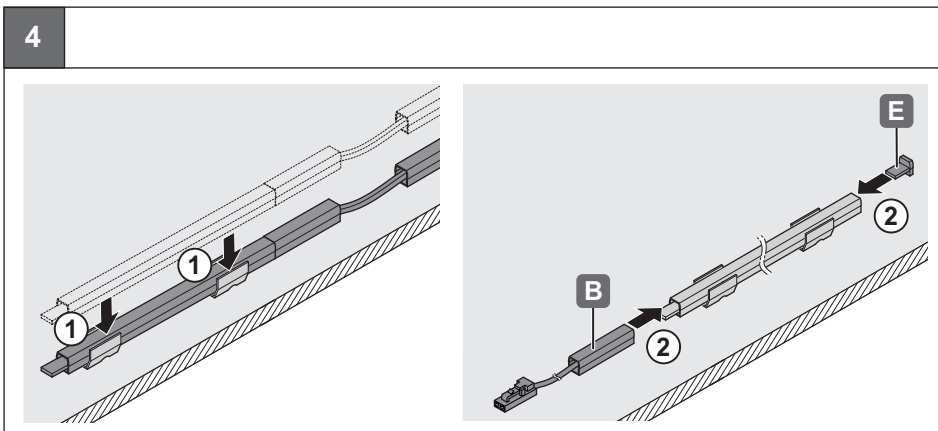
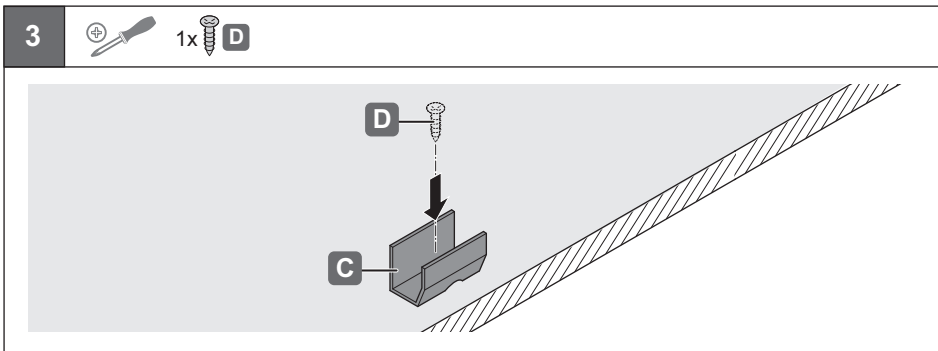
12 V System	K	W	T _A	mm	mm	~ =
833.73.072	3200 K	3 x 0.72 W	-20 °C – +60 °C -4 °F – +140 °F	300 x 8 x 7	≥ 310 x 18 x 17	833.74.900
833.73.085	6400 K					833.74.901
						833.74.913
						833.74.914
						833.74.917
						833.74.918



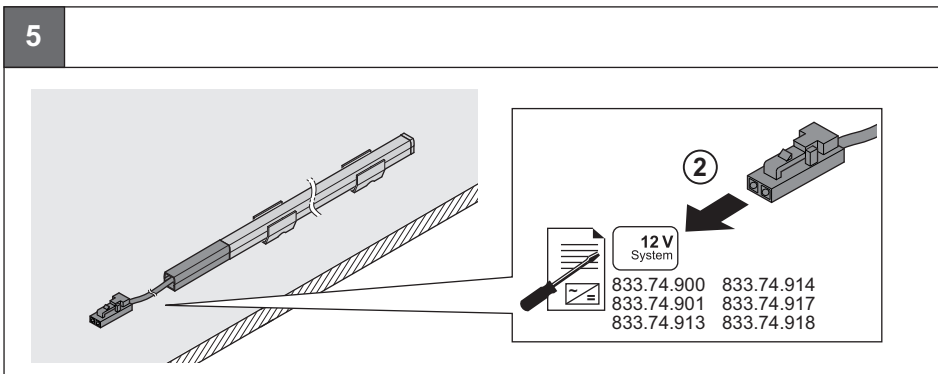
732.28.206



HDE 04/2014



732.28.206



HDE 04/2014