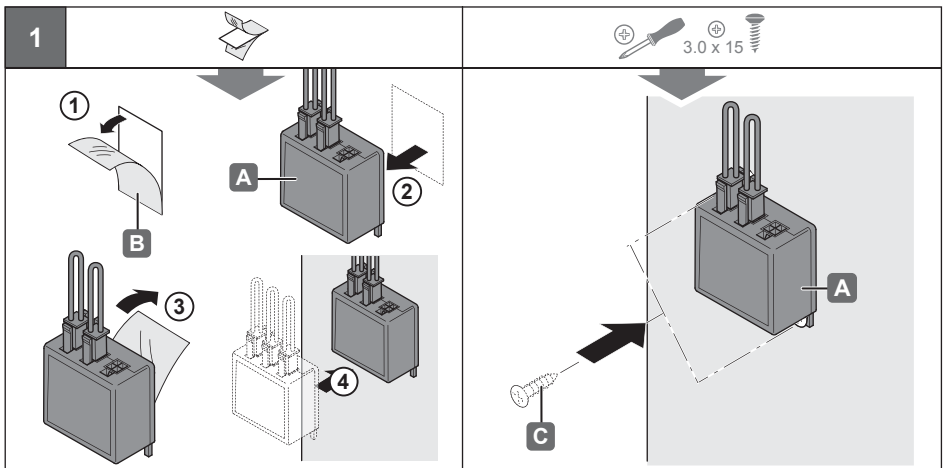
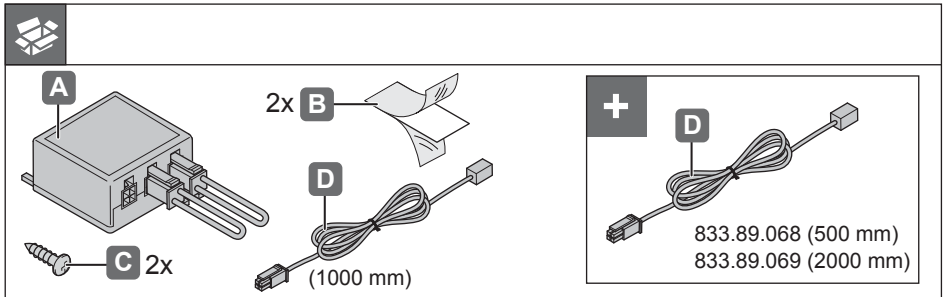




Multi Switch Box

<div style="display: flex; justify-content: space-between;"> <div style="border: 1px solid black; padding: 2px; font-size: 8px;">12 V System</div> <div style="border: 1px solid black; padding: 2px; font-size: 8px;">24 V System</div> <div style="border: 1px solid black; padding: 2px; font-size: 8px;">350 mA System</div> <div style="border: 1px solid black; padding: 2px; font-size: 8px;">700 mA System</div> </div>	<h1 style="font-size: 2em;">T_A</h1>		
<p>833.89.060</p>	<p>0 °C – +45 °C +32 °F – +113 °F</p>	<p>40 x 38 x 17</p>	<div style="display: flex; justify-content: space-between;"> <div style="width: 45%;"> <p>833.74.900 833.74.914 833.74.901 833.74.917 833.74.913 833.74.918</p> <p>833.77.900 833.77.913 833.77.901 833.77.914 833.77.912 833.77.915</p> <p>833.80.900 833.80.901 833.83.900 833.83.901</p> </div> <div style="width: 45%; text-align: right;"> <div style="border: 1px solid black; padding: 2px; font-size: 8px; margin-bottom: 10px;">12 V System</div> <div style="border: 1px solid black; padding: 2px; font-size: 8px; margin-bottom: 10px;">24 V System</div> <div style="border: 1px solid black; padding: 2px; font-size: 8px; margin-bottom: 10px;">350 mA System</div> <div style="border: 1px solid black; padding: 2px; font-size: 8px;">700 mA System</div> </div> </div>



732.28.294 HDE 13.12.2012

2

833.74.900	833.74.914	12 V System
833.74.901	833.74.917	
833.74.913	833.74.918	
833.77.900	833.77.913	24 V System
833.77.901	833.77.914	
833.77.912	833.77.915	
833.80.900	833.80.901	350 mA System
833.83.900	833.83.901	700 mA System

3

!		$\geq 2W$	$\geq 6W$
		833.80.900	833.83.900

!			