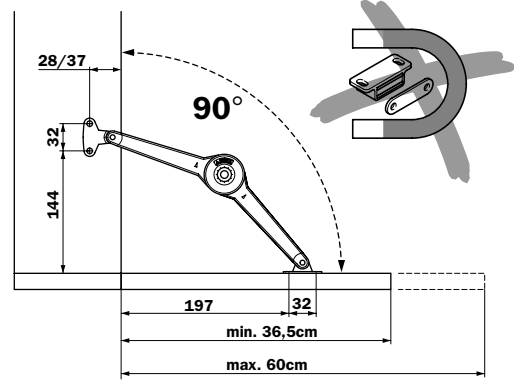
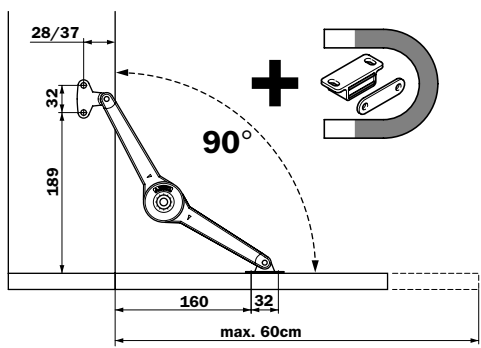
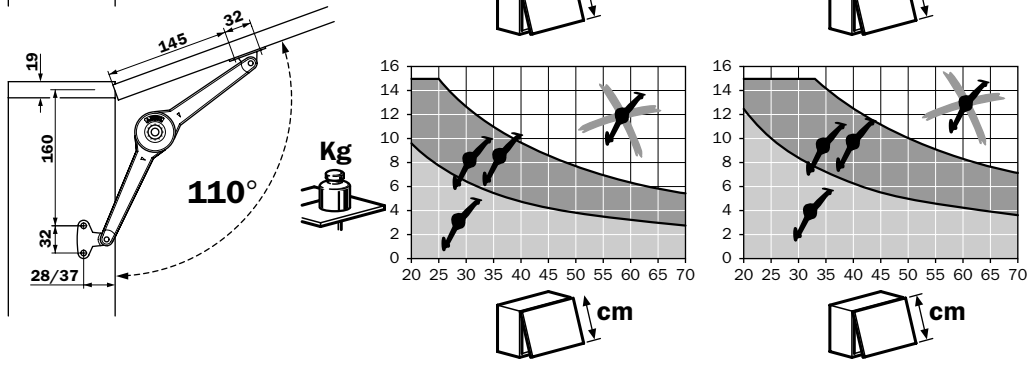
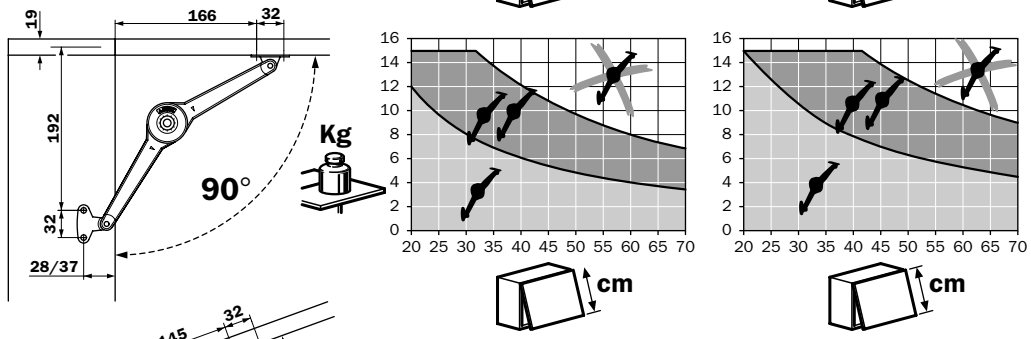
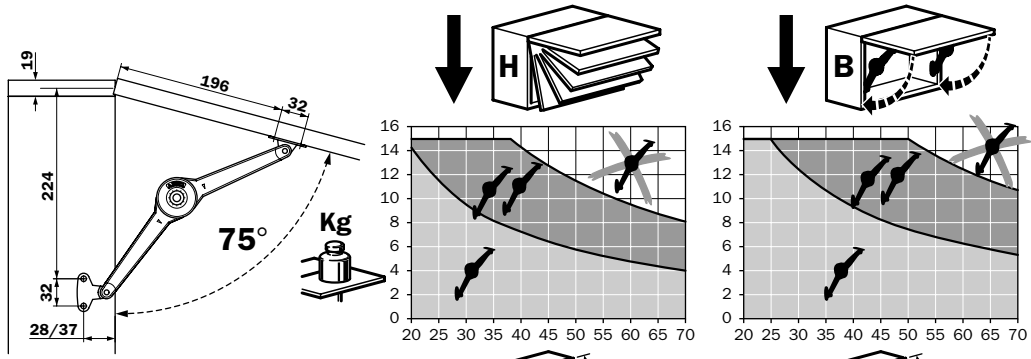


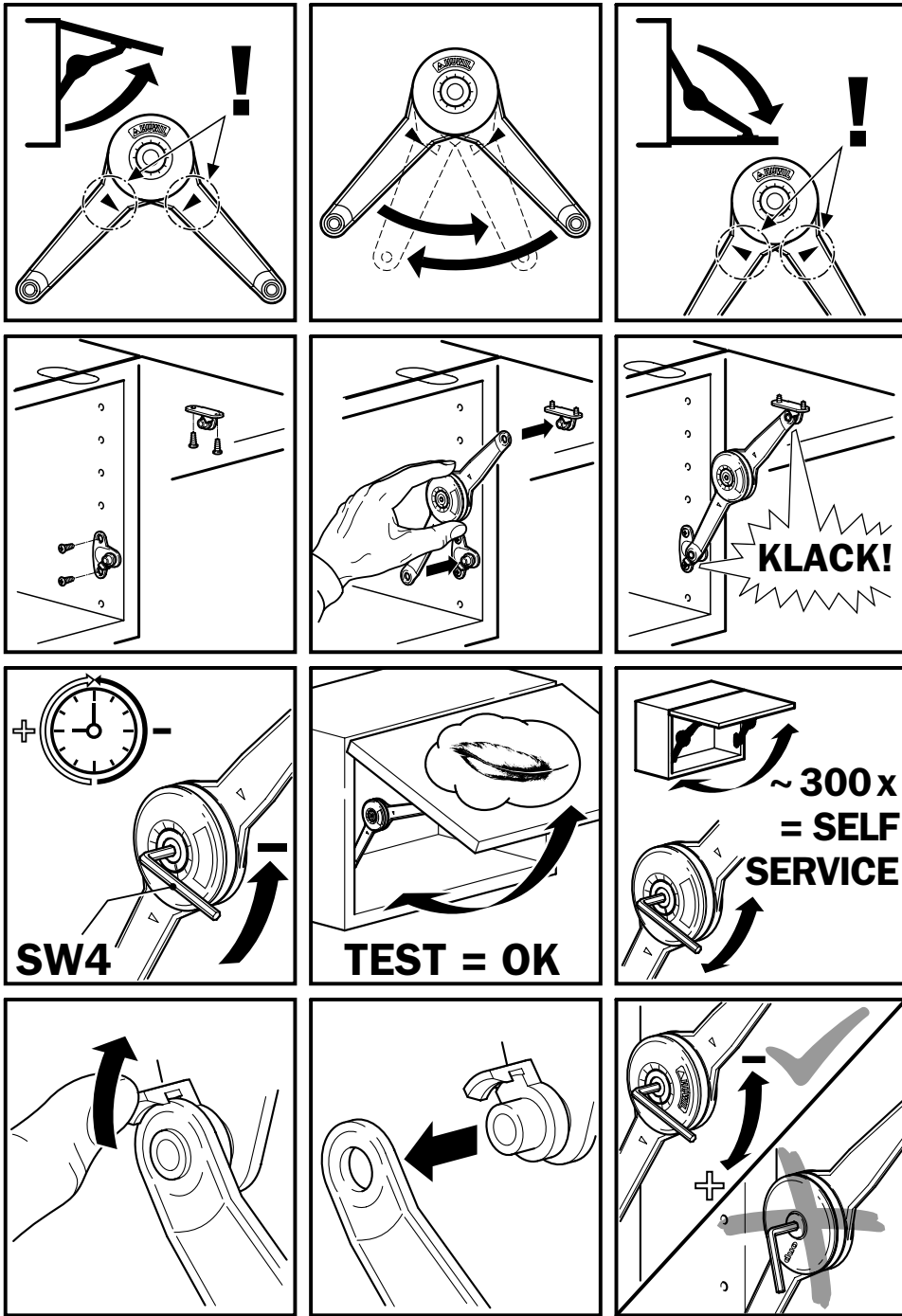
huwilift-duo-forte



HUWIL



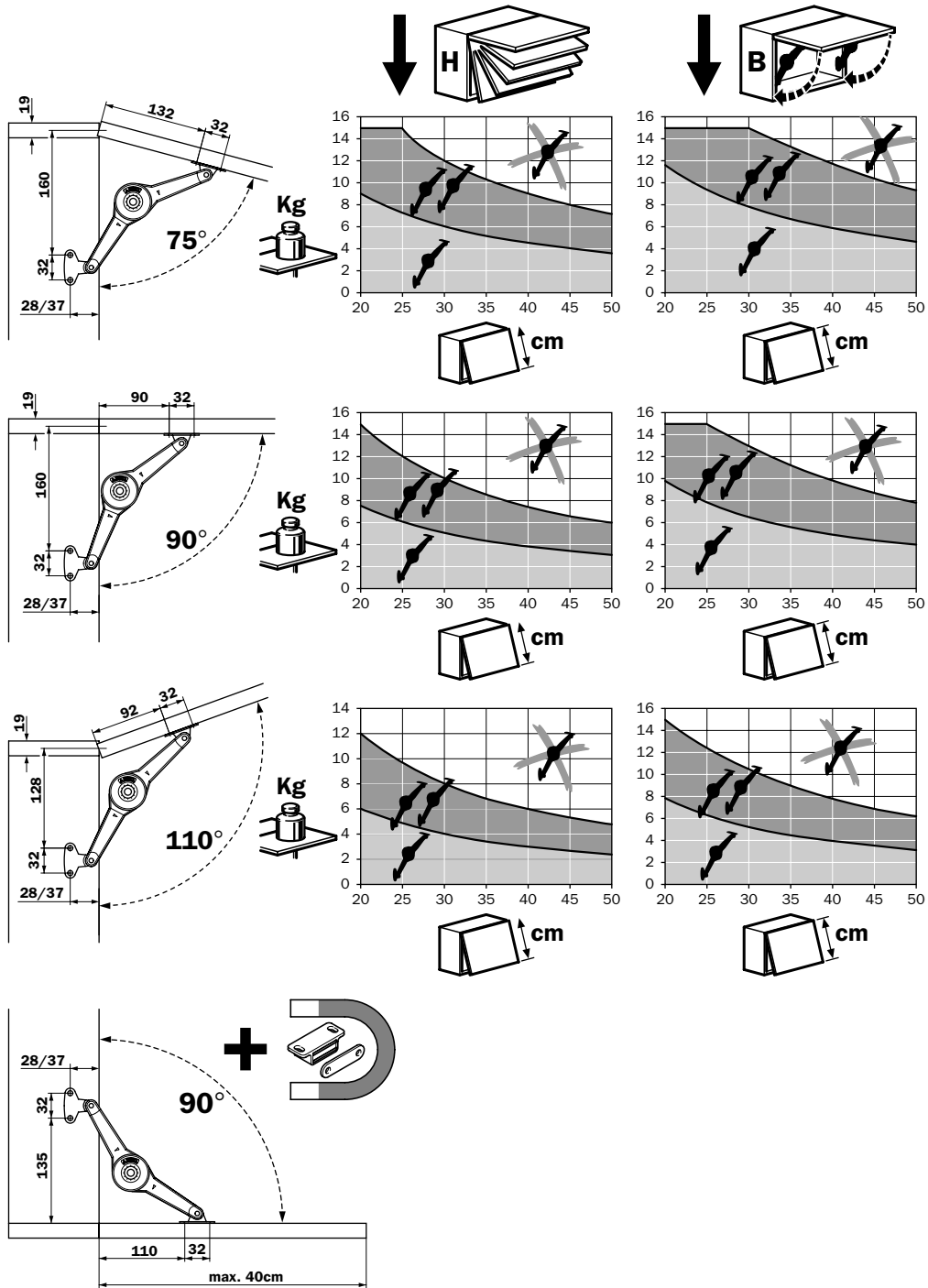
huwilift-duo-forte



huwilift-duo-standard



12 0001 010 210 QSF 525 1.00 1.04.03 WD d 20



huwilift-duo-standard