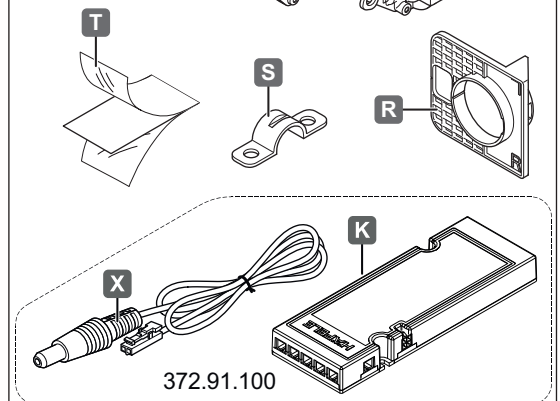
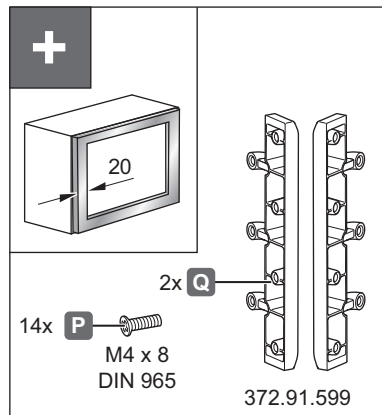
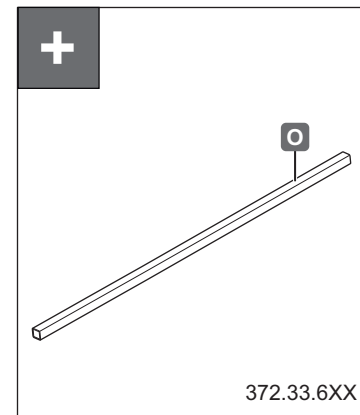
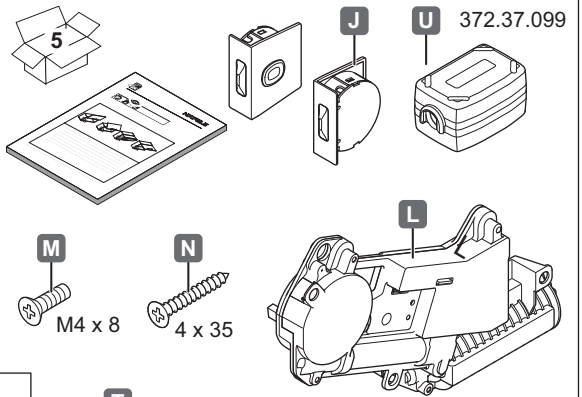
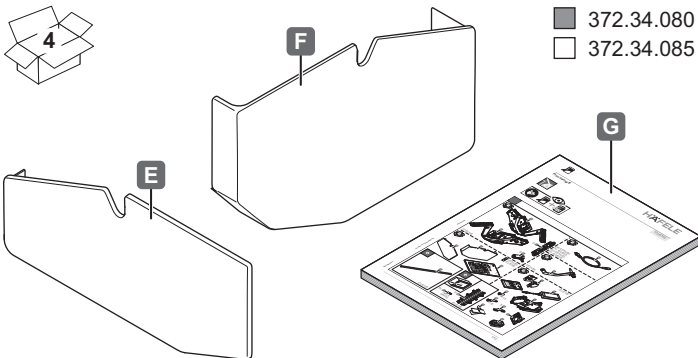
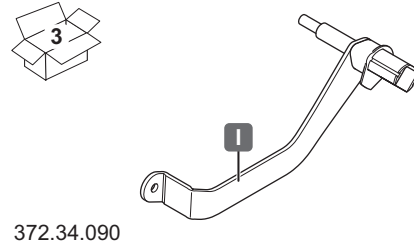
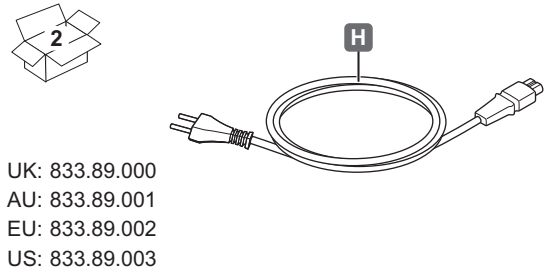
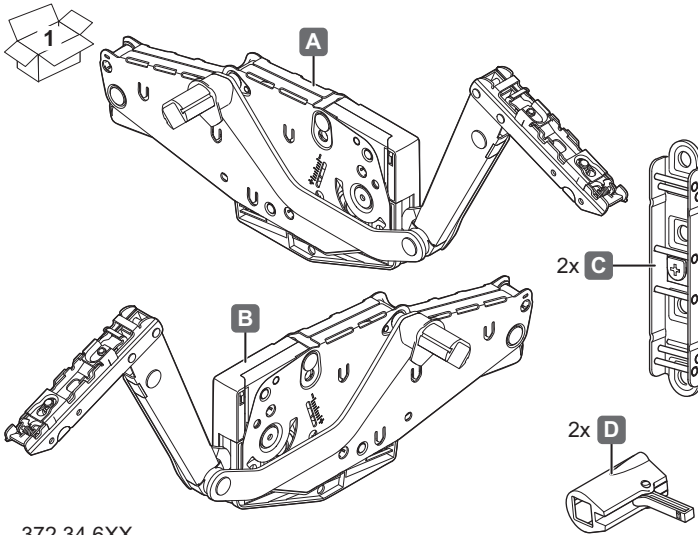
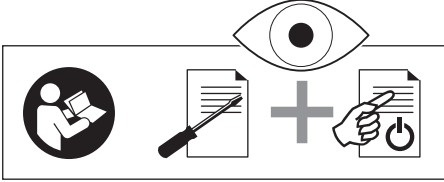




Free swing E

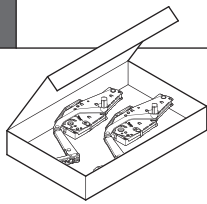
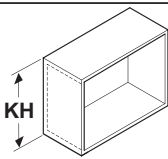
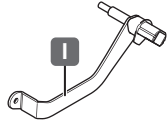
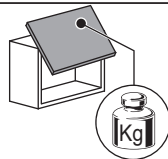
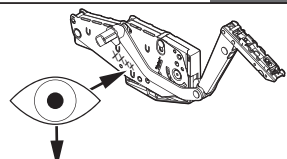
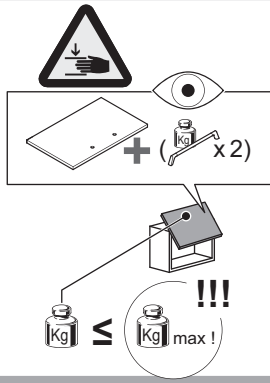
372.34.XXX



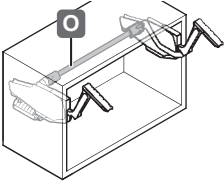
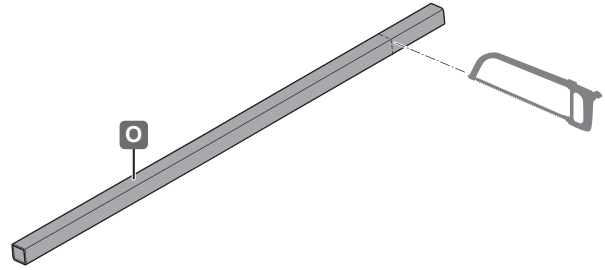


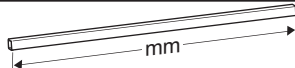
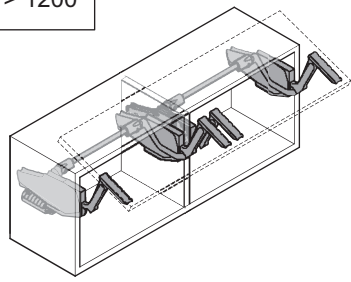
732.23.032

12.0001.010.433.0000.00

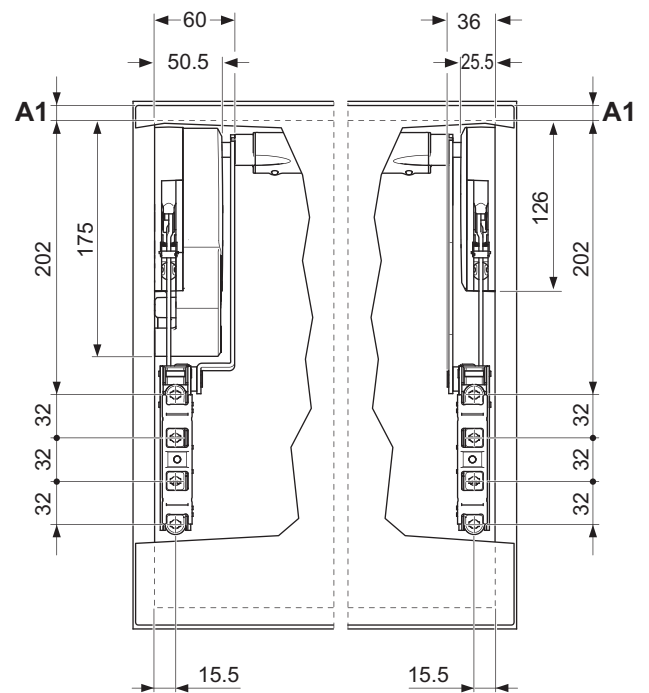
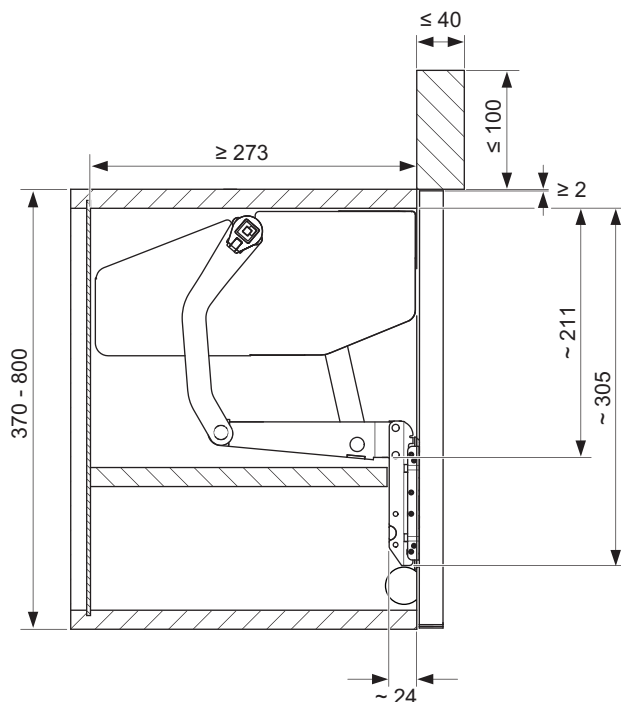
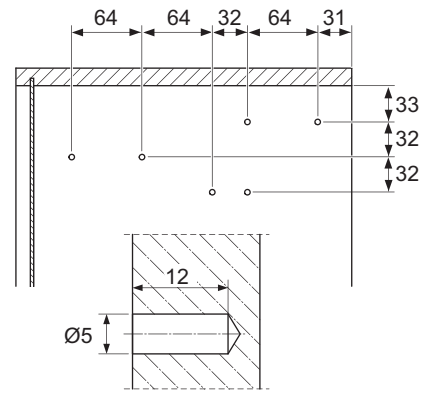
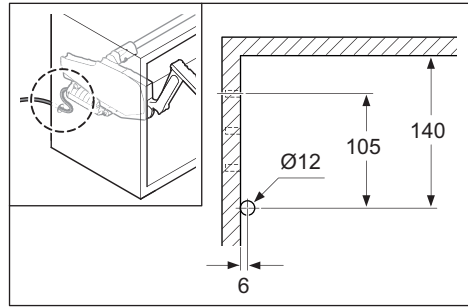
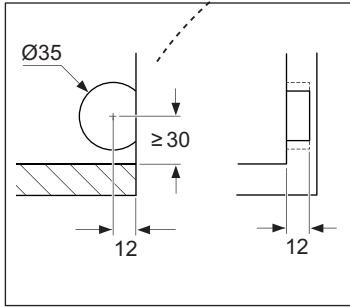
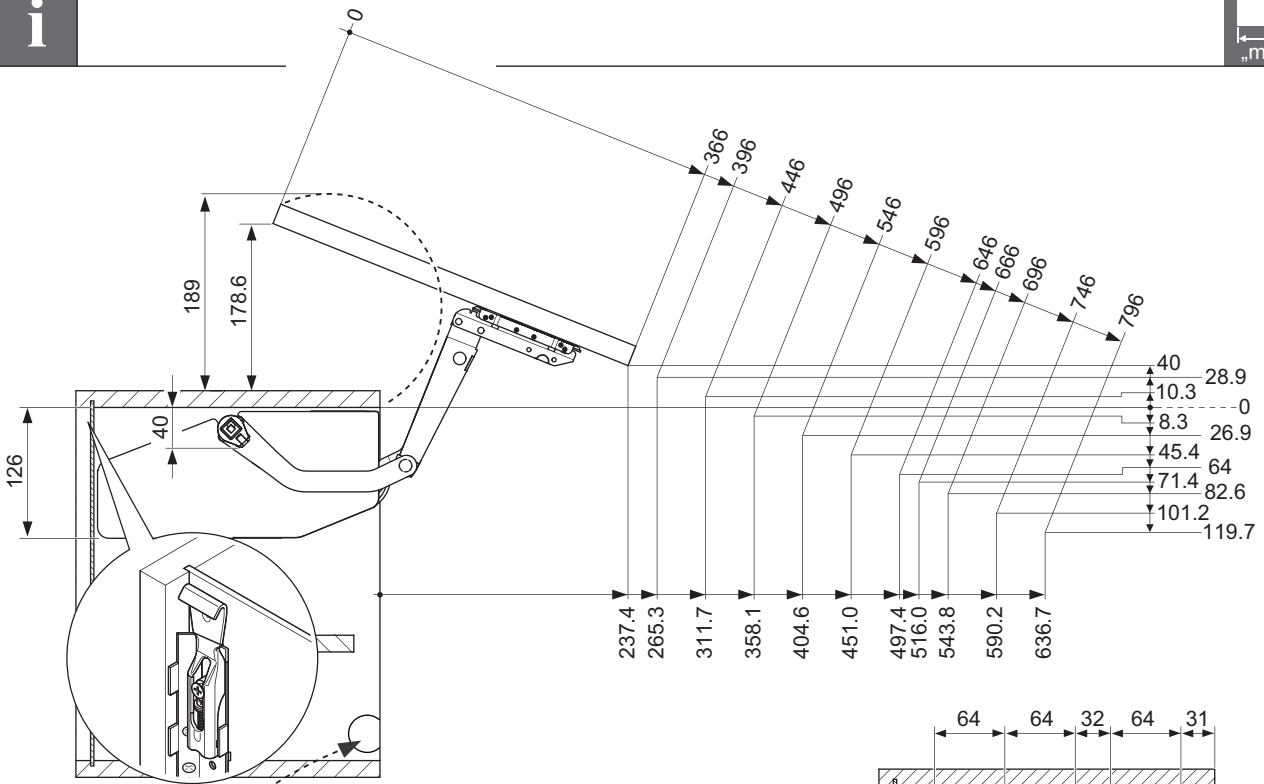
HDE 27.04.2021

i		„mm“			
					
	370	372.34.090	1.8 - 4.0 kg	S1sw 372.34.600	
	400		3.4 - 6.5 kg	S4sw 372.34.601	
	450		5.2 - 10.3 kg	S7sw 372.34.602	
	500		1.8 - 3.9 kg	S1sw 372.34.600	
	500		3.3 - 6.3 kg	S4sw 372.34.601	
	550		5.0 - 10.0 kg	S7sw 372.34.602	
	600		1.8 - 3.7 kg	S1sw 372.34.600	
	670		3.2 - 6.1 kg	S4sw 372.34.601	
	670		4.8 - 9.4 kg	S7sw 372.34.602	
	700		1.8 - 3.5 kg	S1sw 372.34.600	
	750		3.0 - 5.8 kg	S4sw 372.34.601	
	800		4.5 - 8.9 kg	S7sw 372.34.602	
				2.5 - 5.9 kg	S2sw 372.34.610
				5.0 - 10.0 kg	S5sw 372.34.611
				8.2 - 15.9 kg	S8sw 372.34.612

732.23.032

1		„mm“	
			
KB > 1200			
	600	16	449
		19	
	900	16	749
		19	
	1200	16	1049
		19	
	KB	16	KB - (2 x K) - 113
		19	

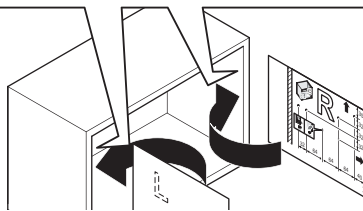
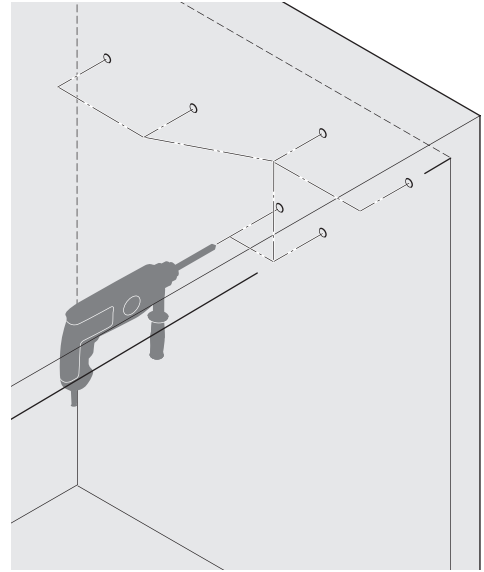
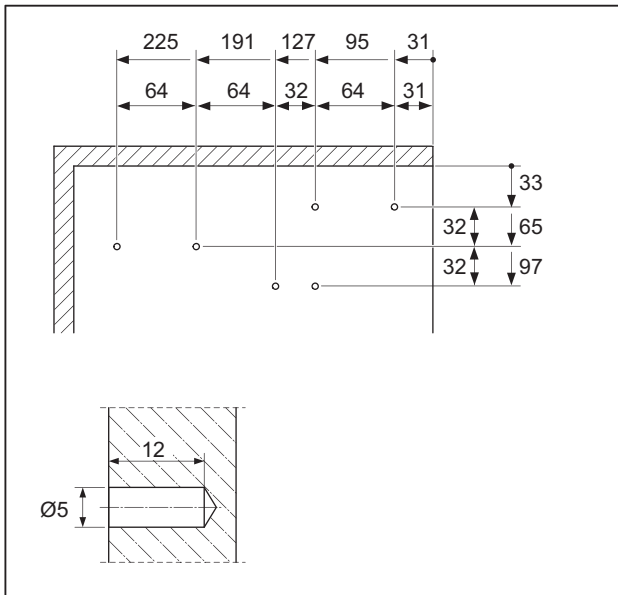
HDE 27.04.2021



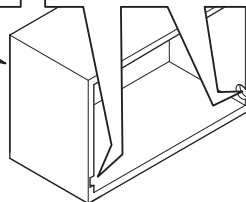
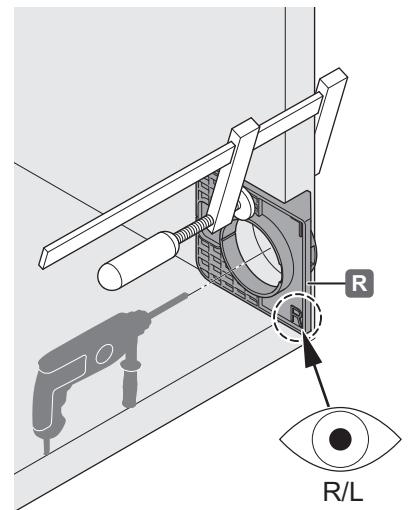
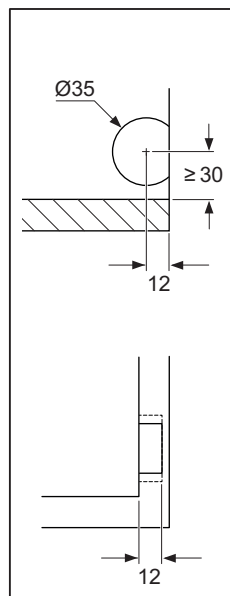
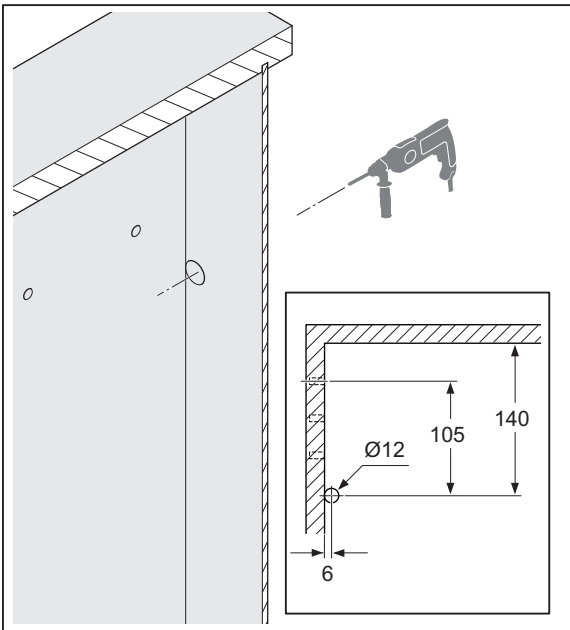
732.23.032

HDE 27.04.2021

1



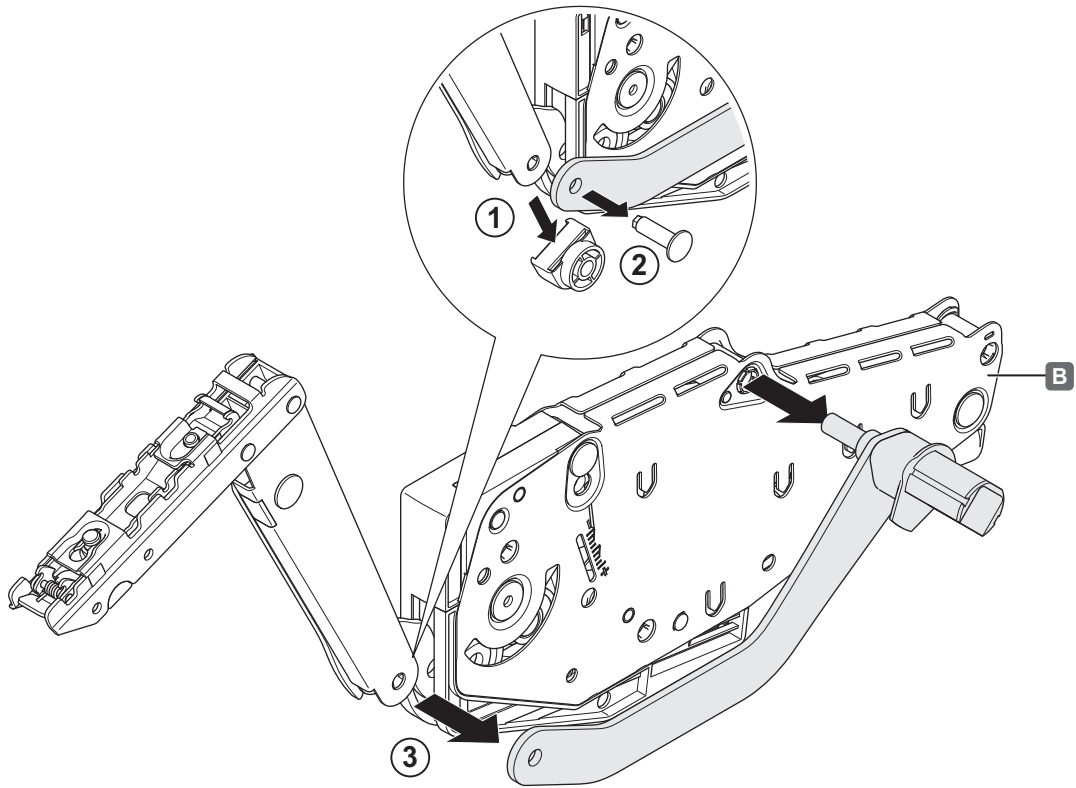
2



732.23.032

HDE 27.04.2021

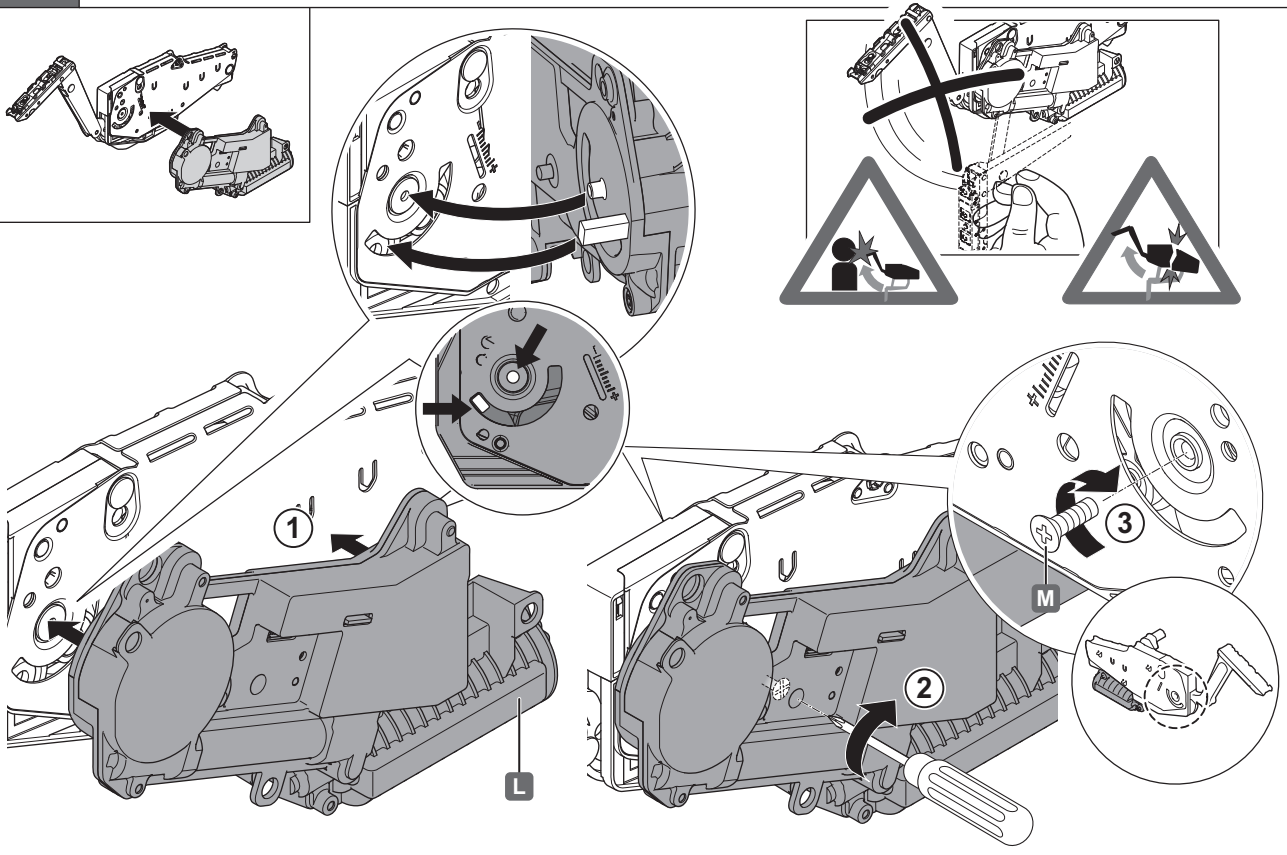
3



4



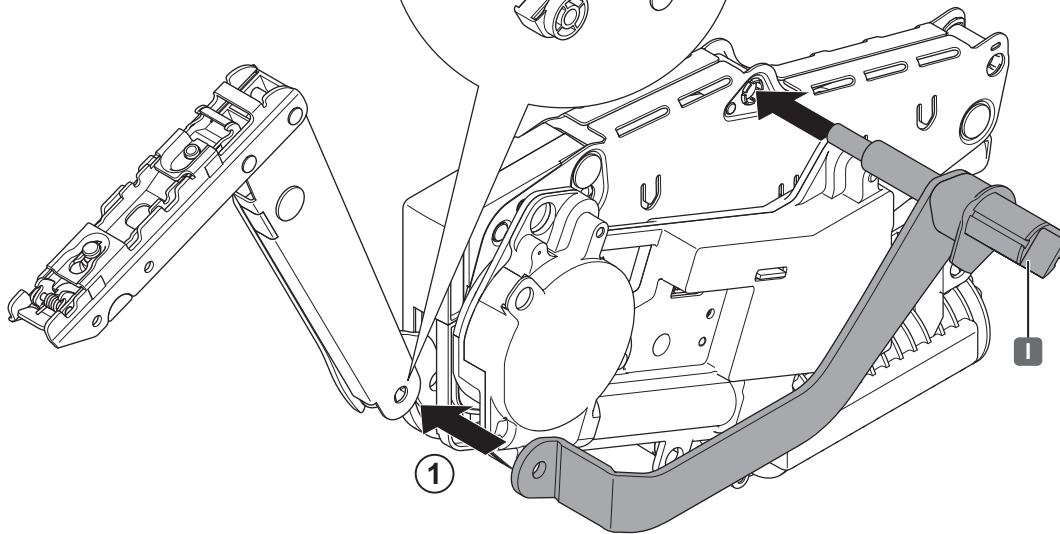
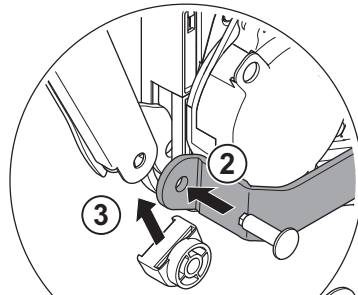
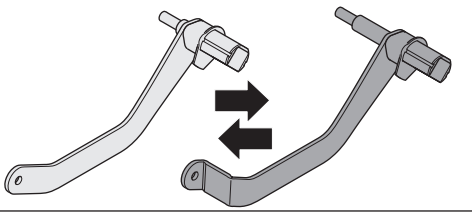
PZ 2



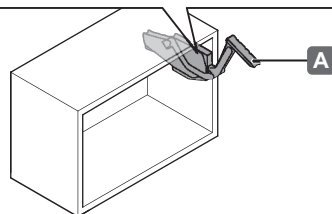
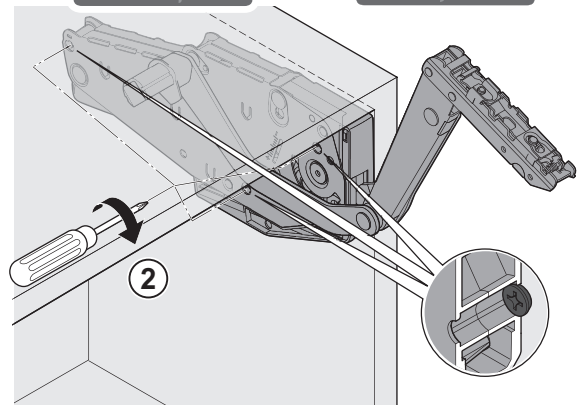
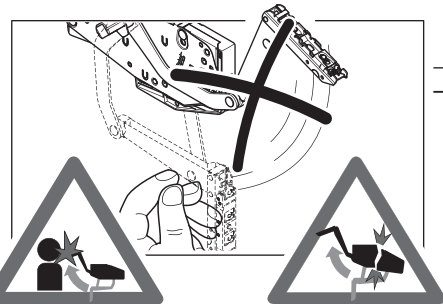
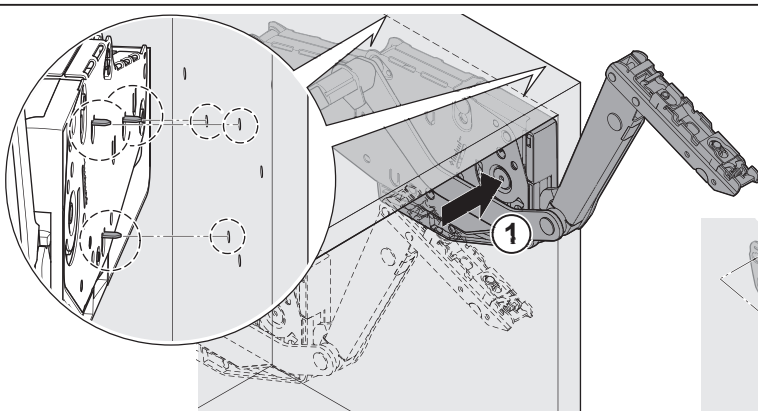
732.23.032

HDE 27.04.2021

5



6



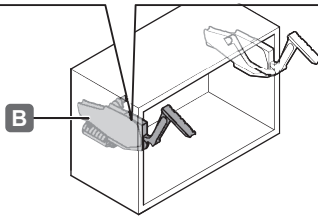
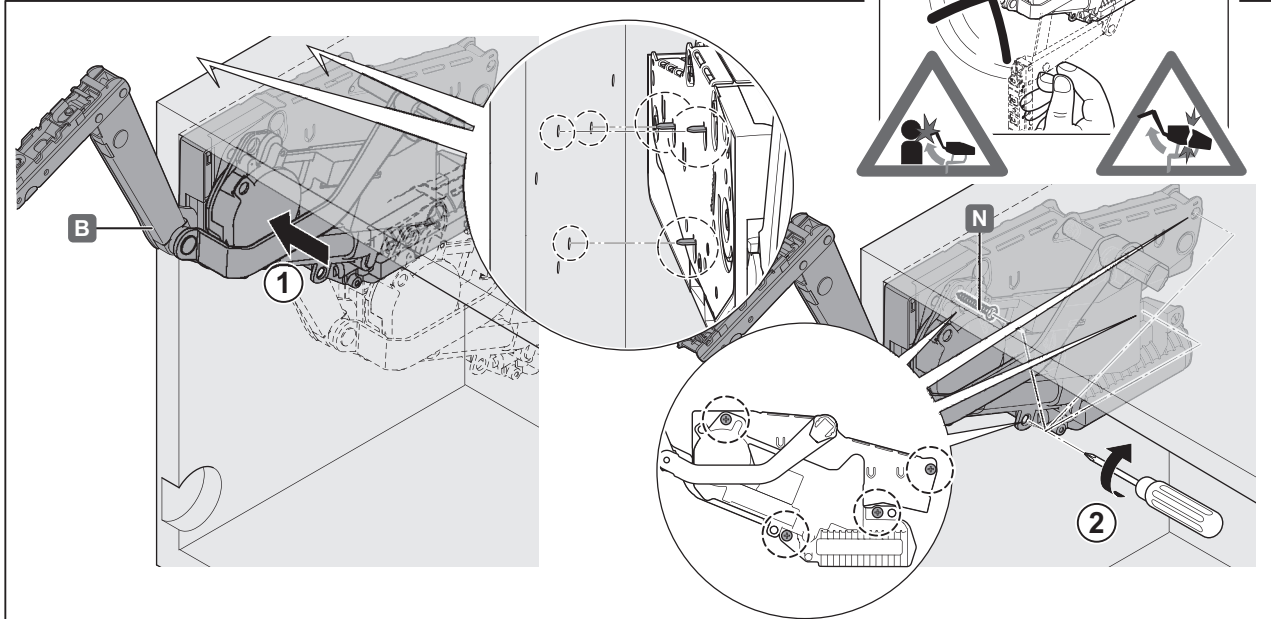
732.23.032

HDE 27.04.2021

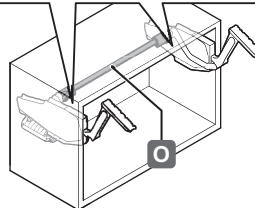
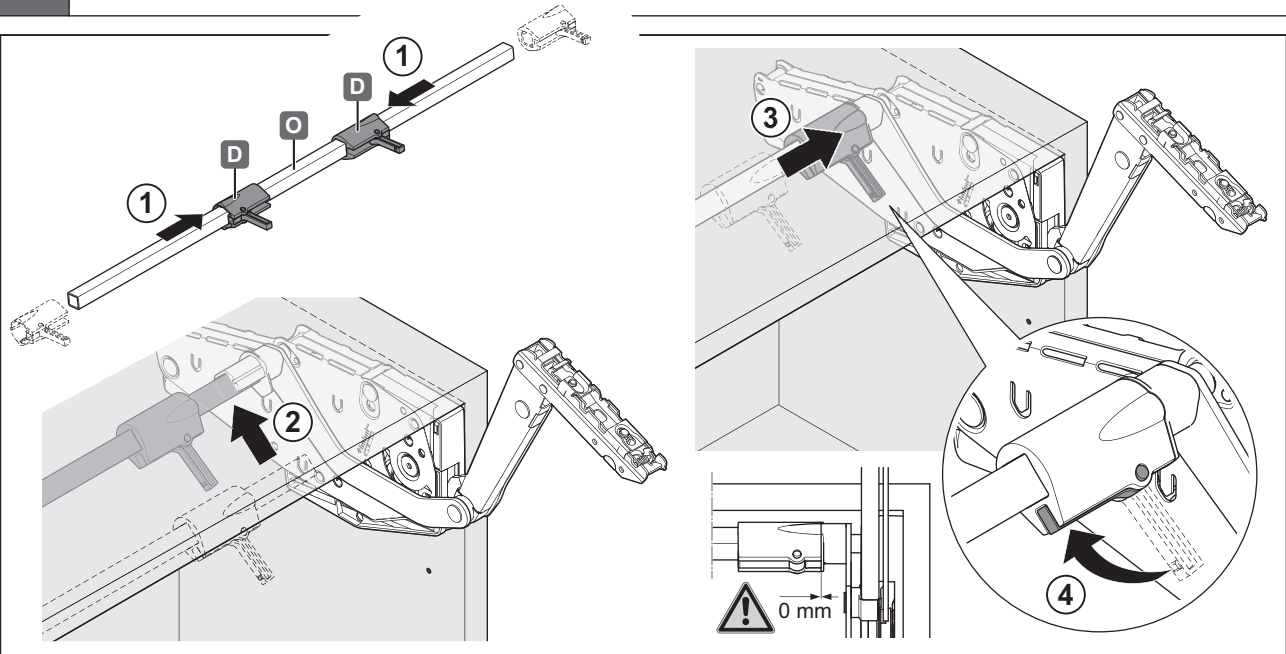
7



PZ 2



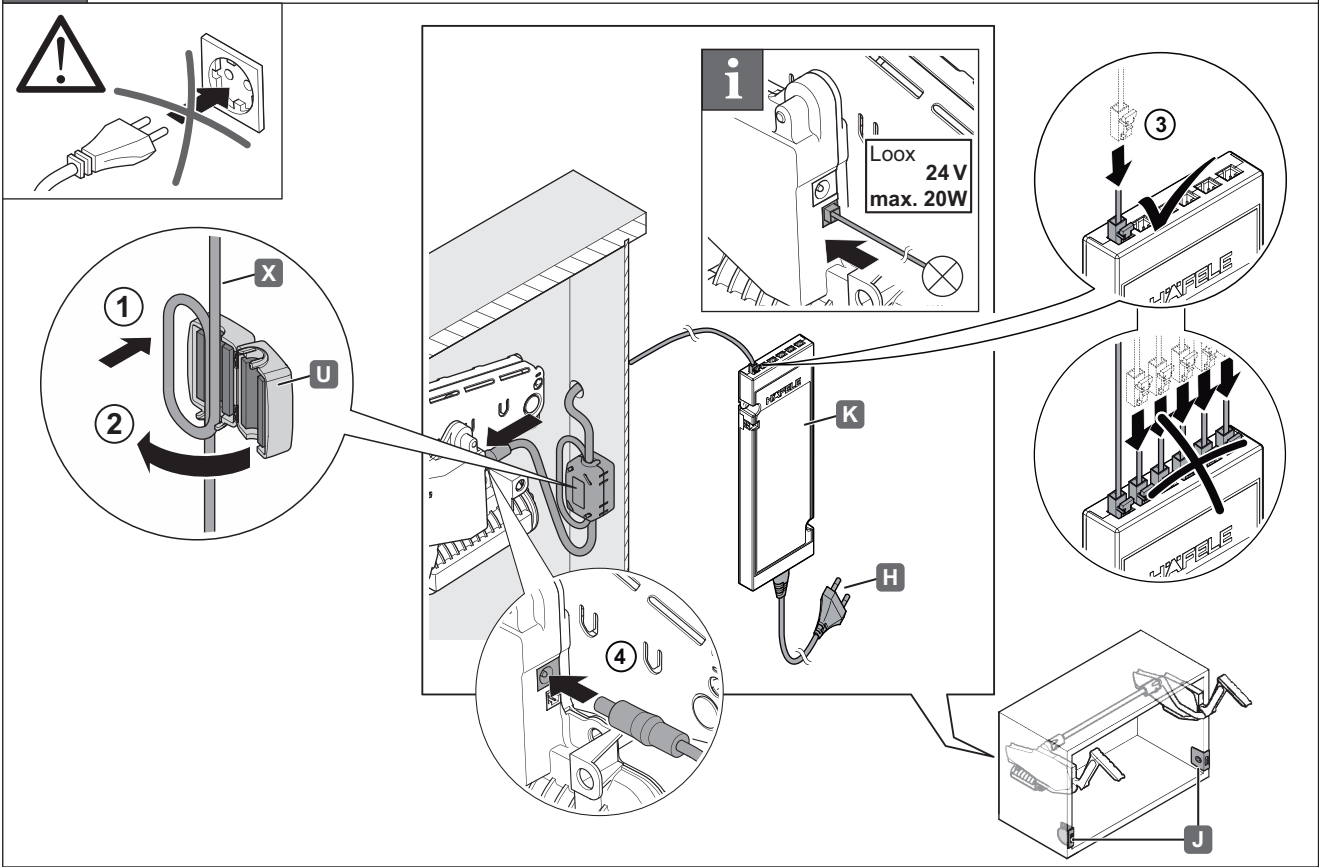
8



732.23.032

HDE 27.04.2021

9

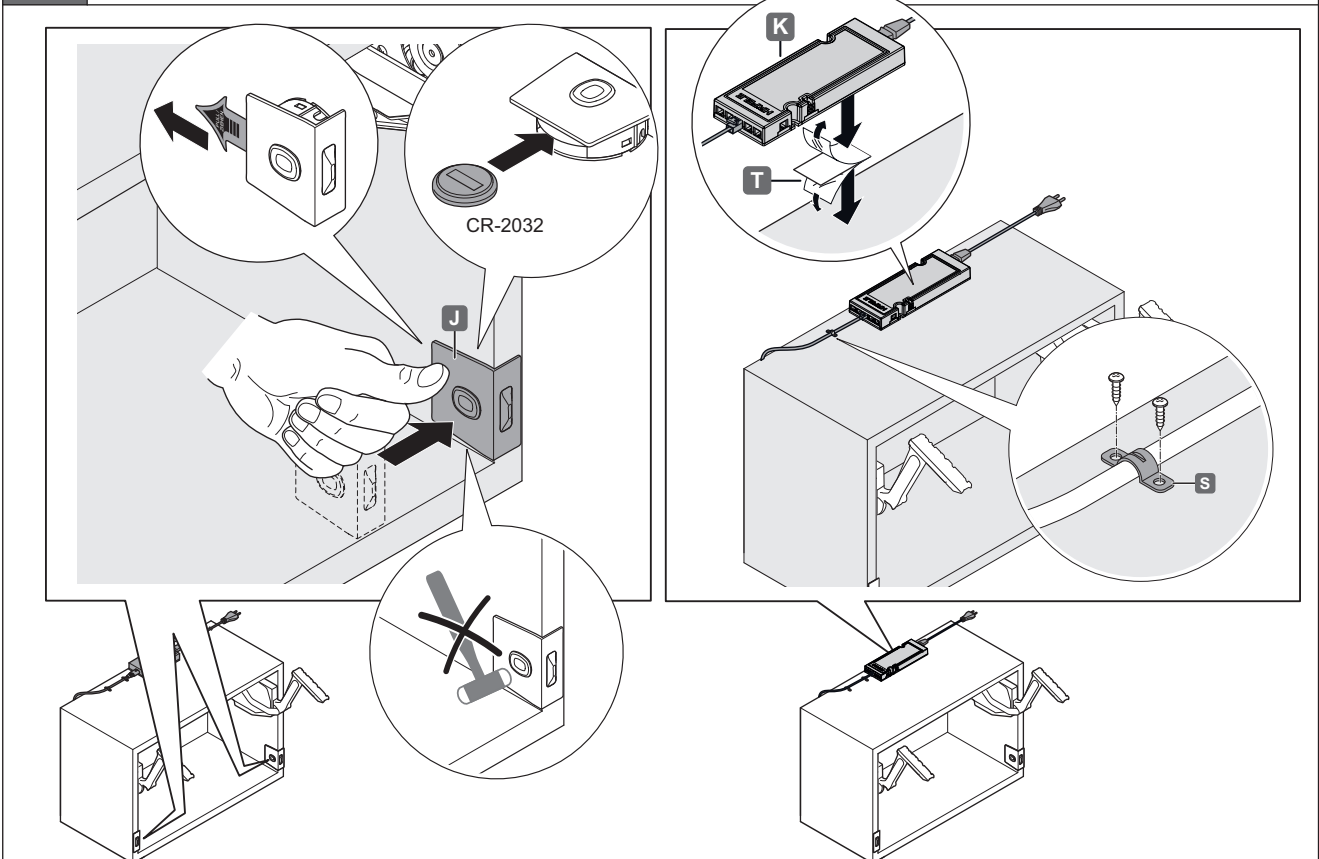


10

CR2032








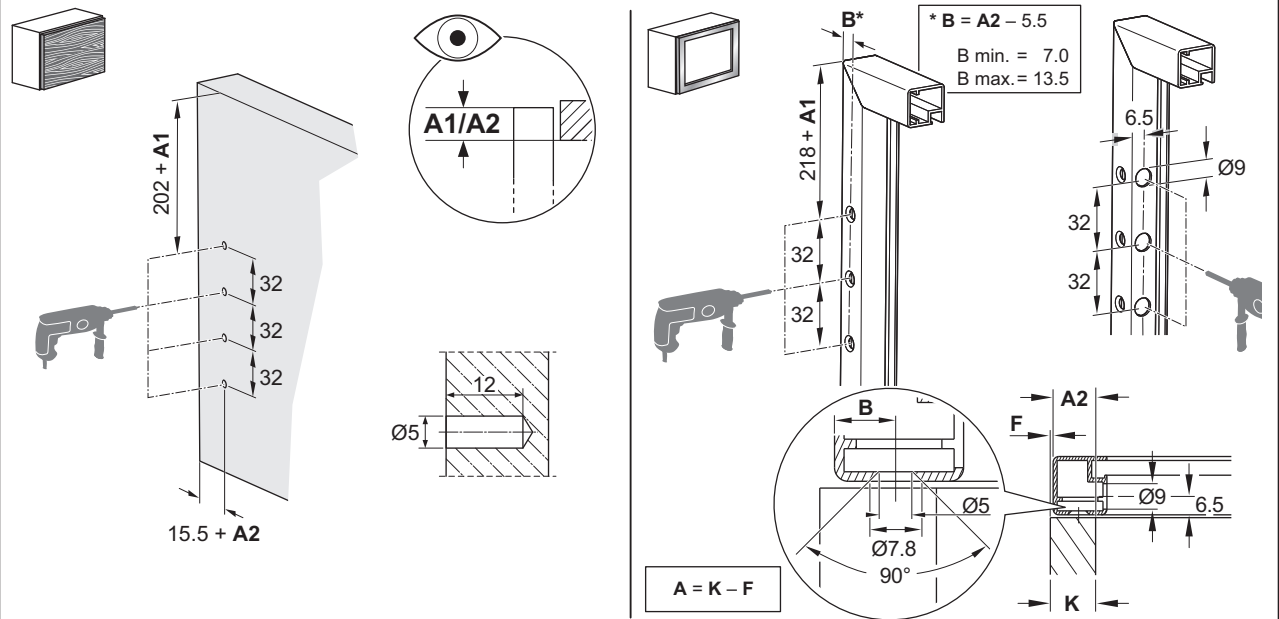
PZ 2



732.23.032

HDE 27.04.2021

11  5 mm   9 mm  5 mm 



$202 + A1$
32
32
32
 $15.5 + A2$

$A1/A2$

12
 $\varnothing 5$

B^*
 $218 + A1$
32
32
32

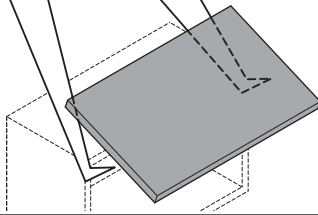
B
 $\varnothing 7.8$
90°


$B^* = A2 - 5.5$
 $B \text{ min.} = 7.0$
 $B \text{ max.} = 13.5$

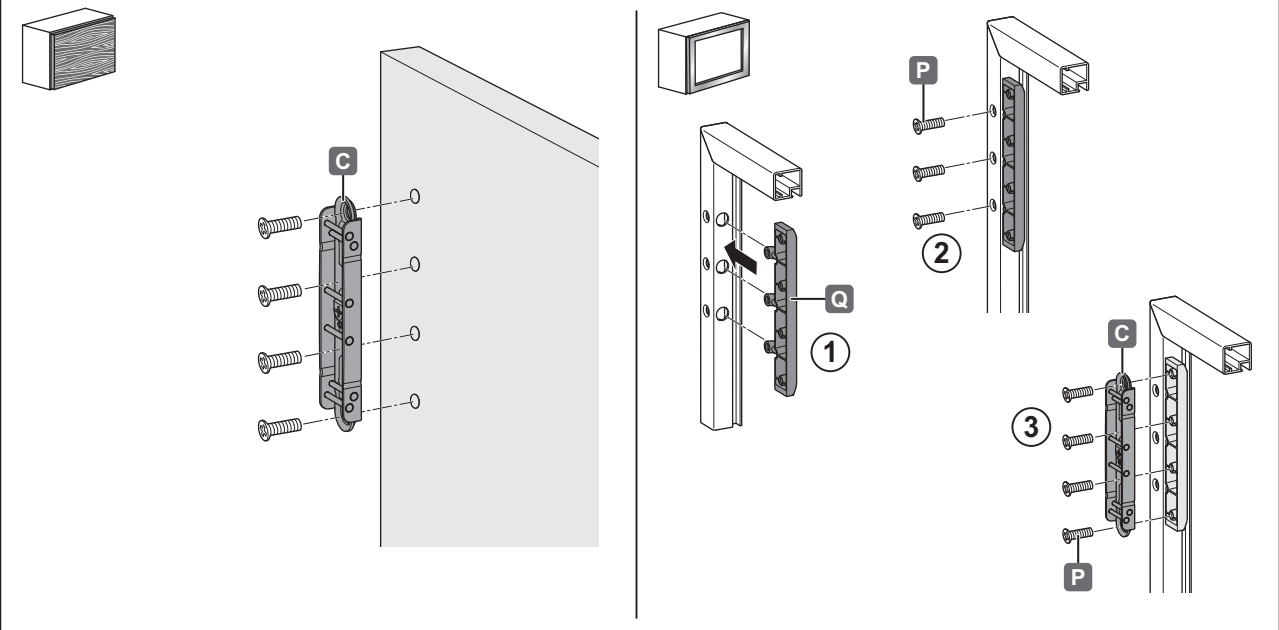
6.5
 $\varnothing 9$
32
32

$A2$
F
 $\varnothing 9$
6.5
K

$A = K - F$



12 



$\varnothing 5$

C

Q

P

2

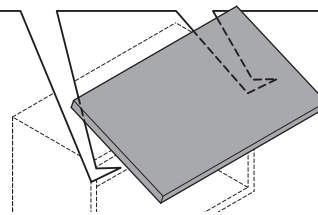
1

3

P

C

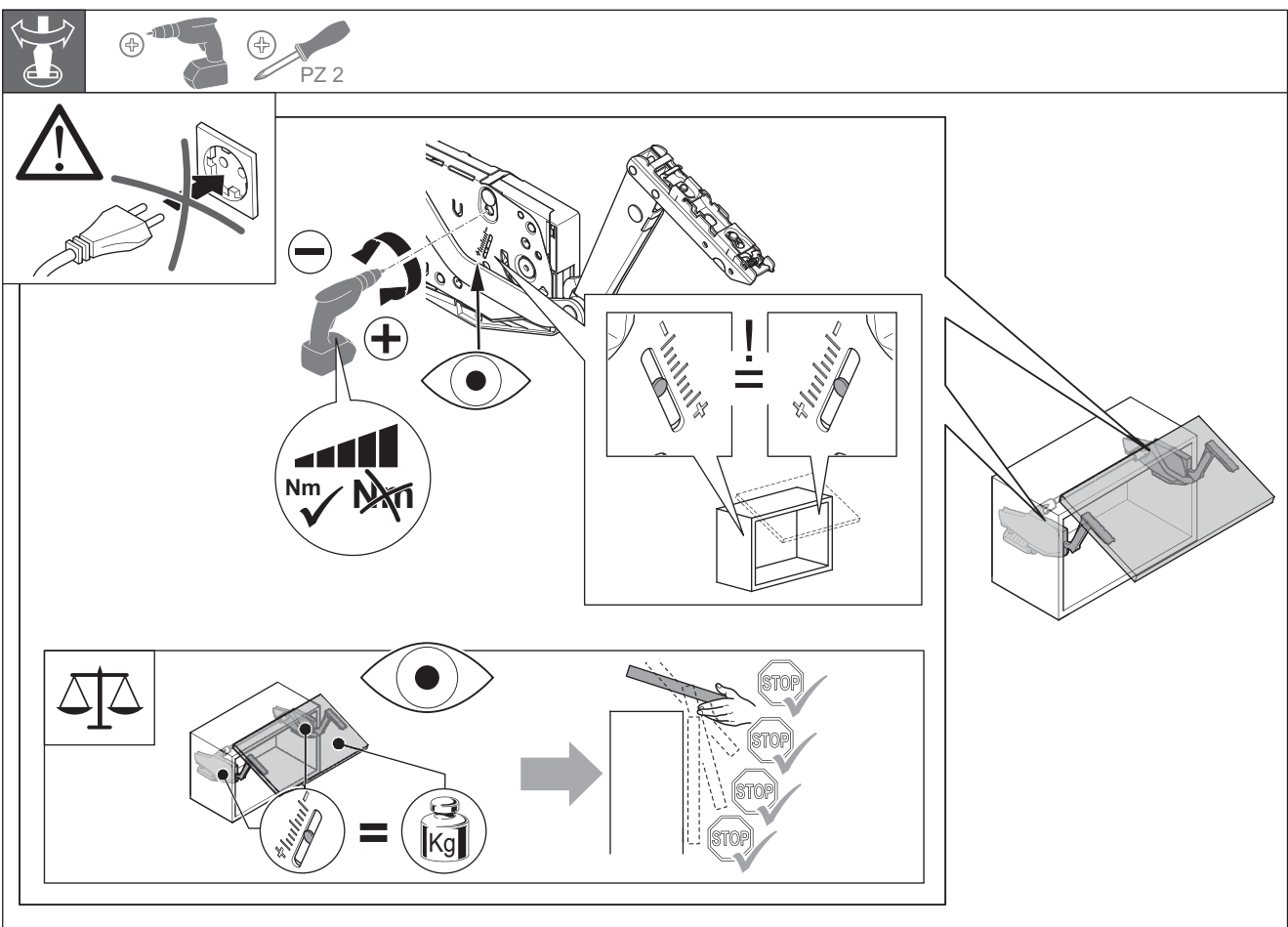
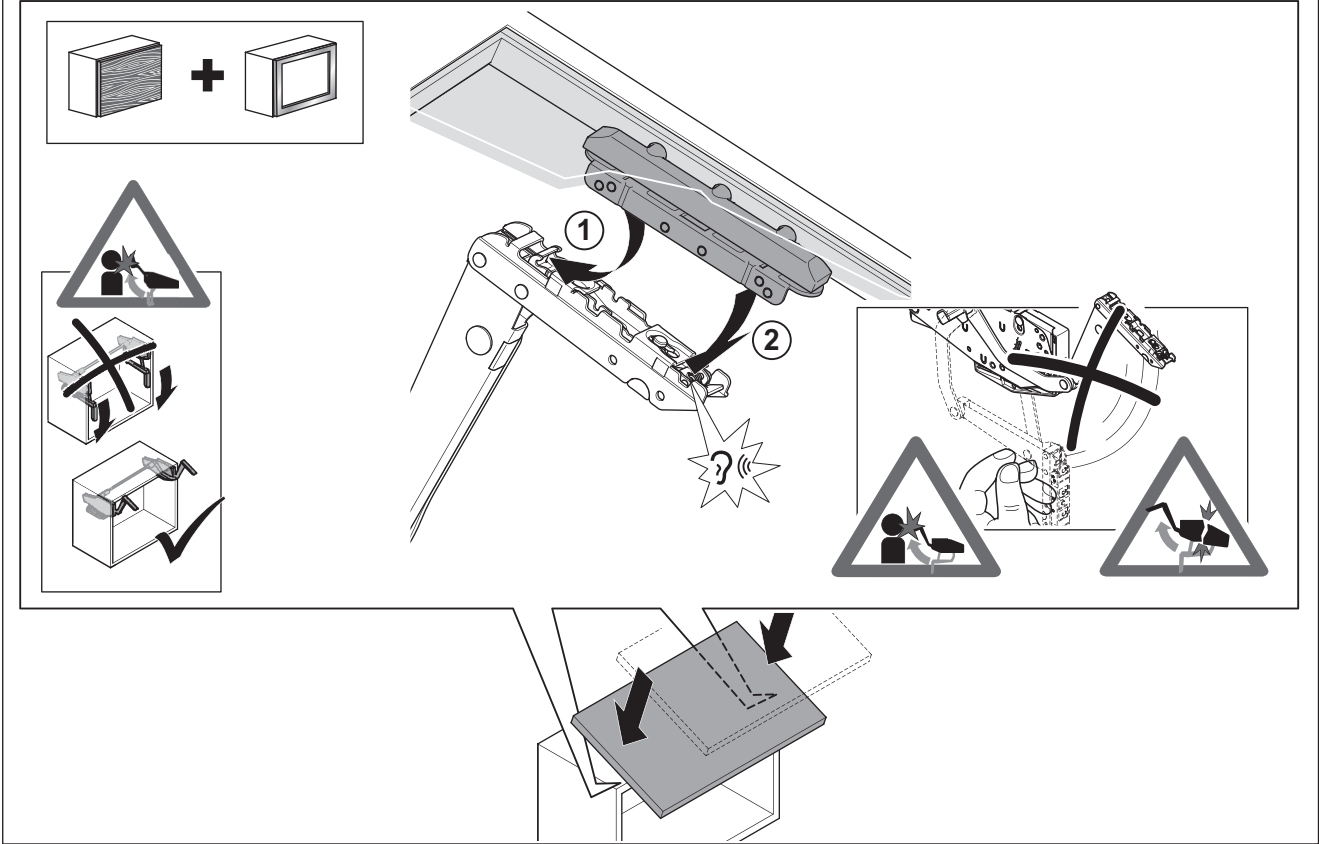
P



732.23.032

HDE 27.04.2021

13

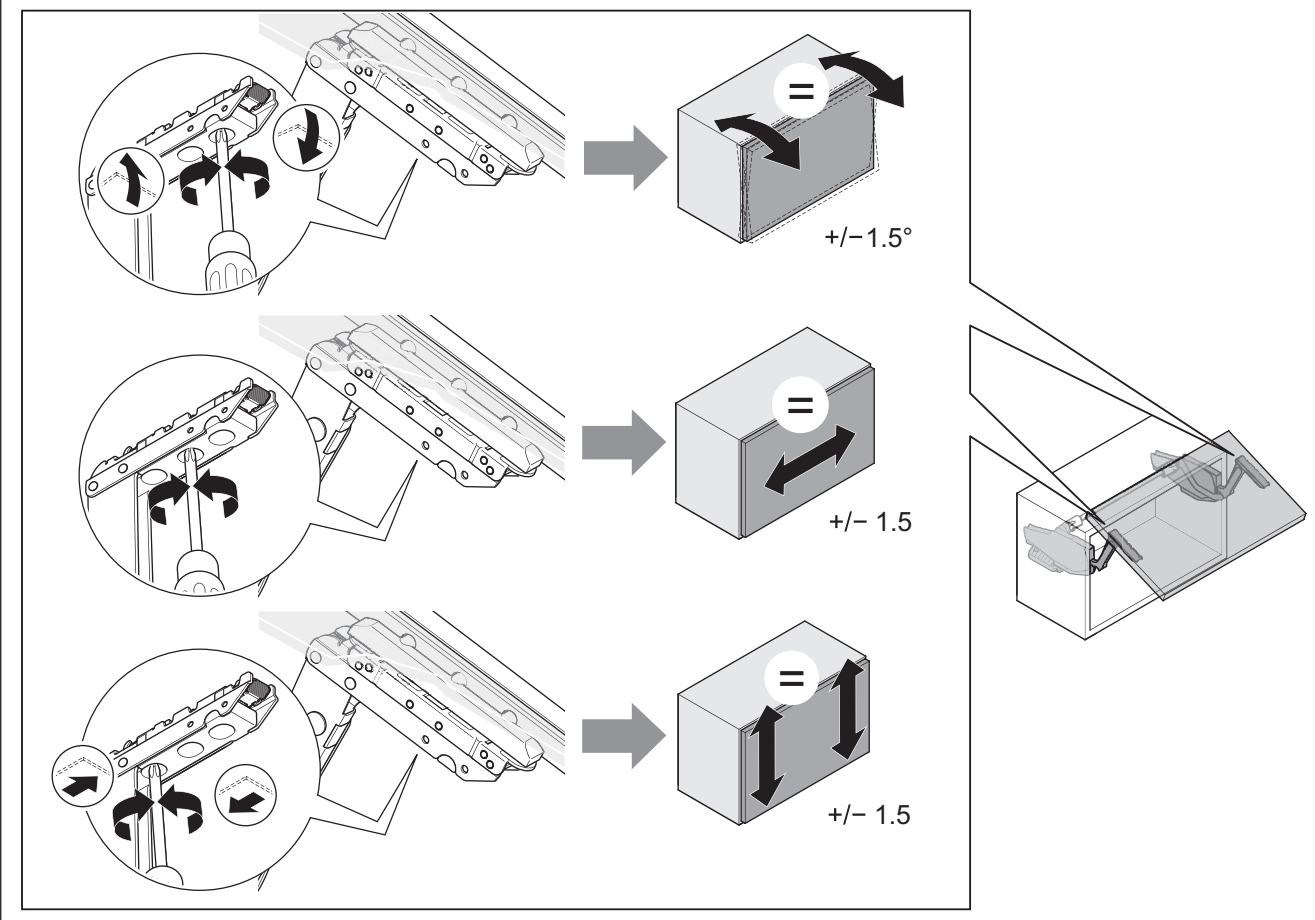


732.23.032

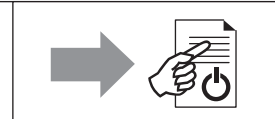
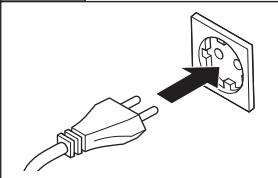
HDE 27.04.2021



PZ 2

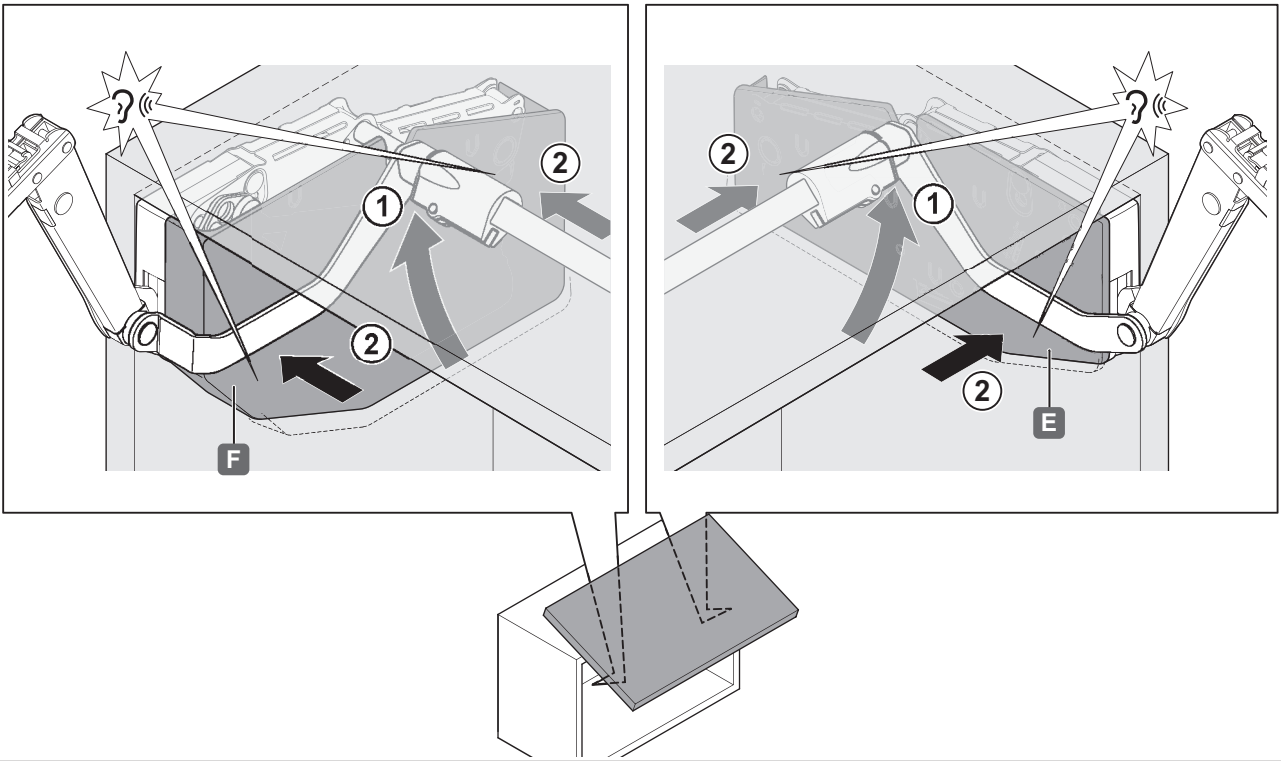


732.23.032

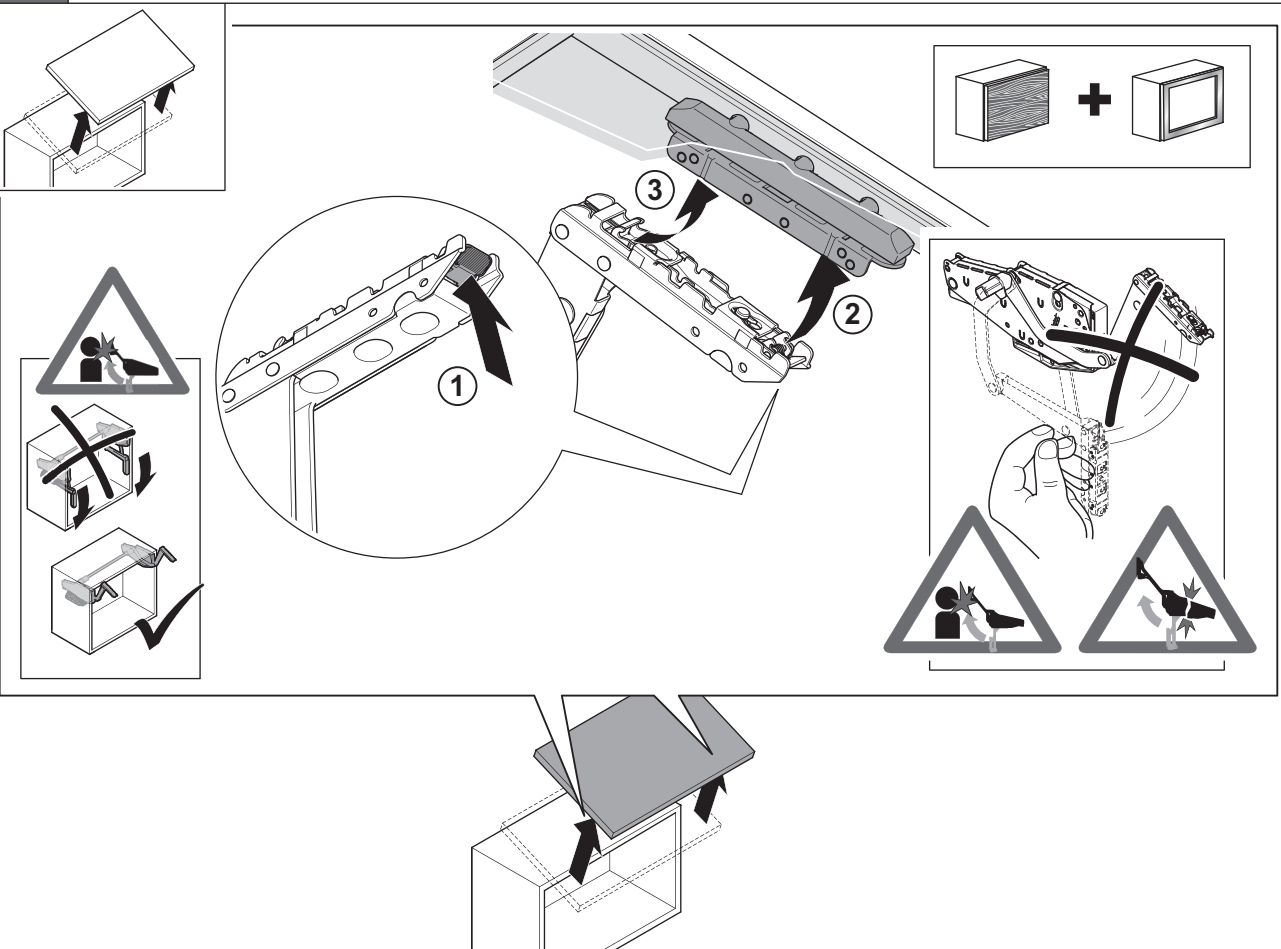


HDE 27.04.2021

14



i



732.23.032

HDE 27.04.2021