

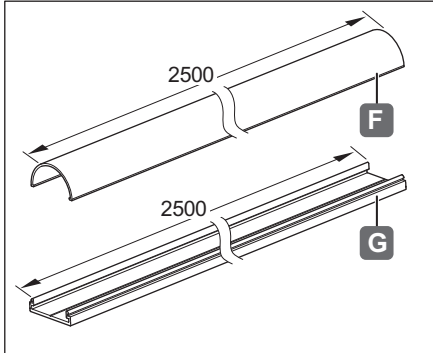


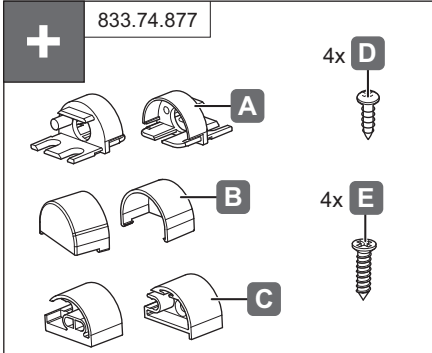
833.74.835 833.89.251  
 833.74.877 833.89.252  
 833.74.893 833.89.253  
 833.89.254



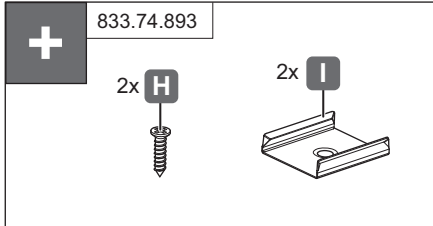
2500 F  
2500 G

833.74.877



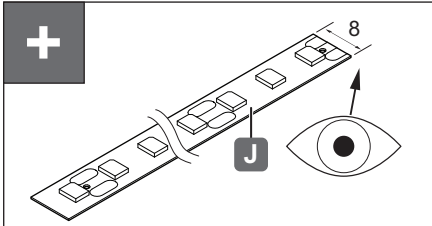
4x D  
4x E

833.74.893

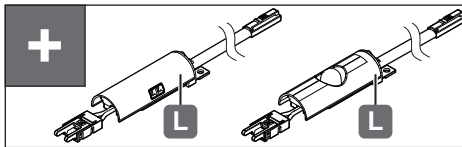


2x H  
2x I

8




J



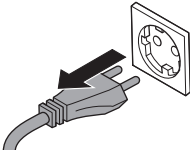
L L

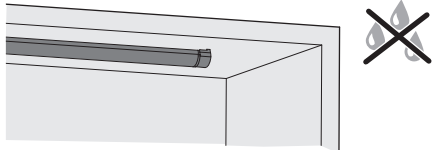
PIR	833.89.251	833.89.253
IR Door	833.89.252	833.89.254

**i**



100 - 240 V~





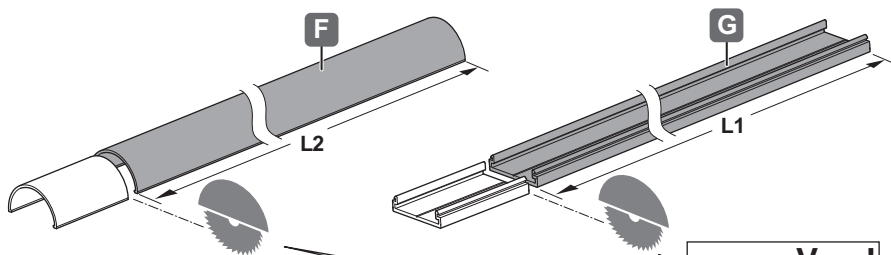
732.28.499

HDE 07.04.2022

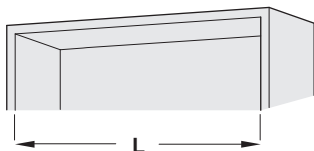
1



„mm“

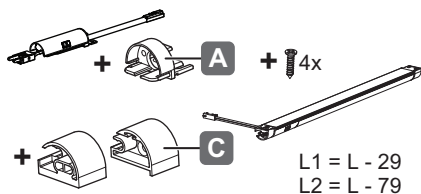
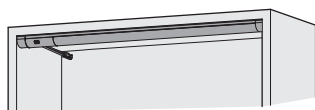


i

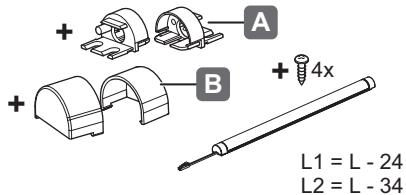
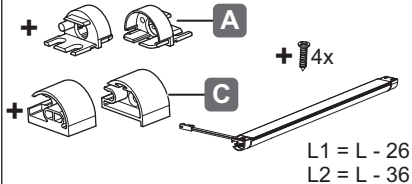
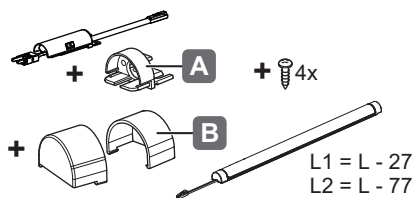
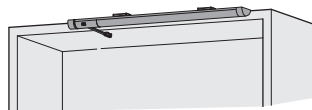


732.28.499

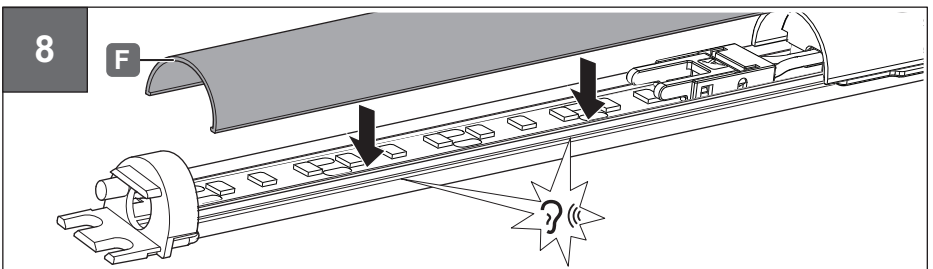
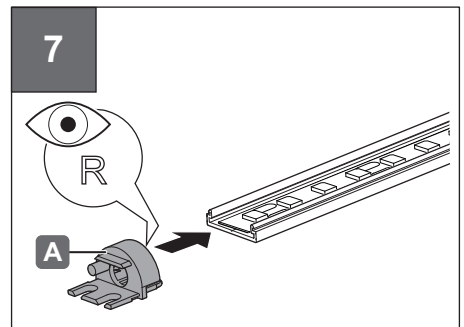
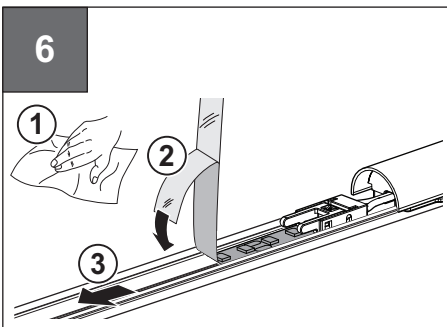
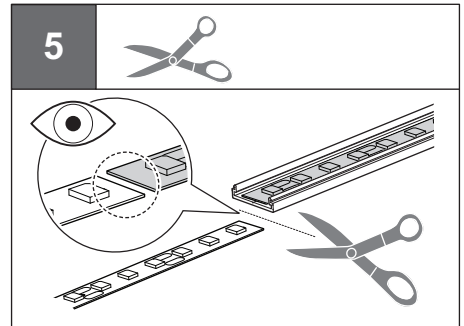
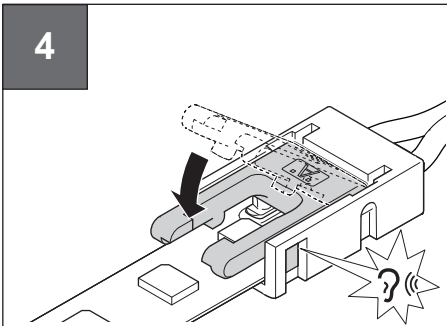
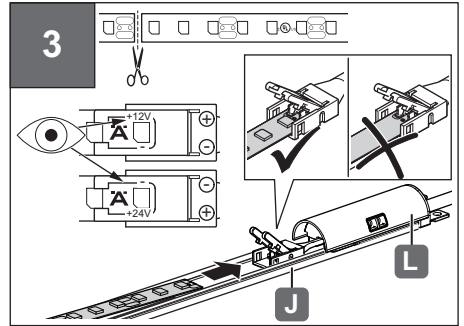
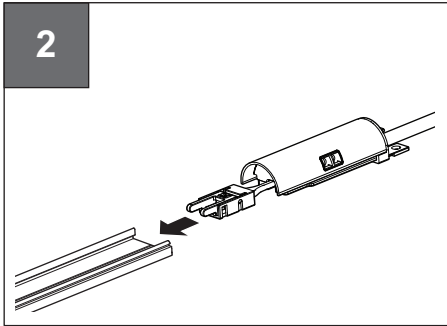
A



B



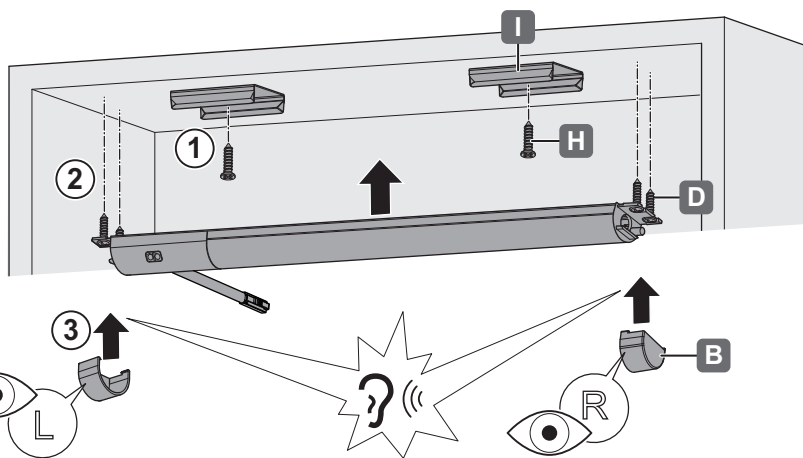
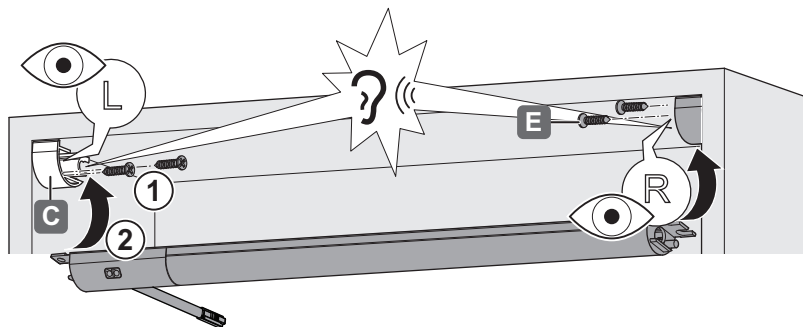
HDE 07.04.2022



732.28.499

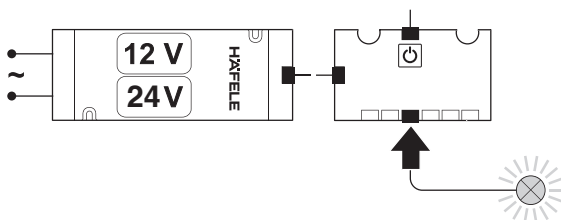
HDE 07.04.2022

9



732.28.499

10



HDE 07.04.2022