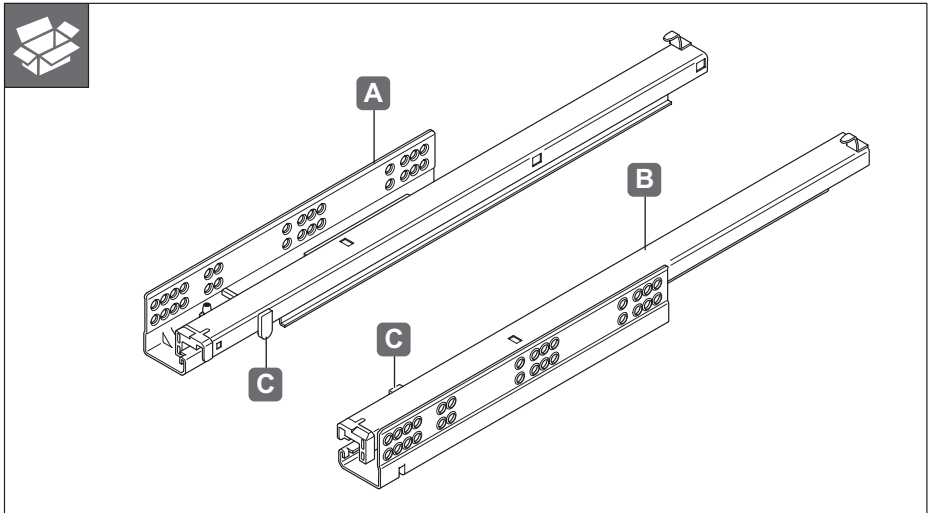
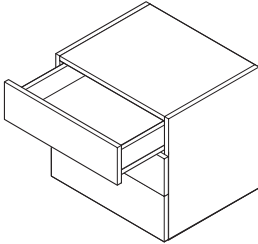




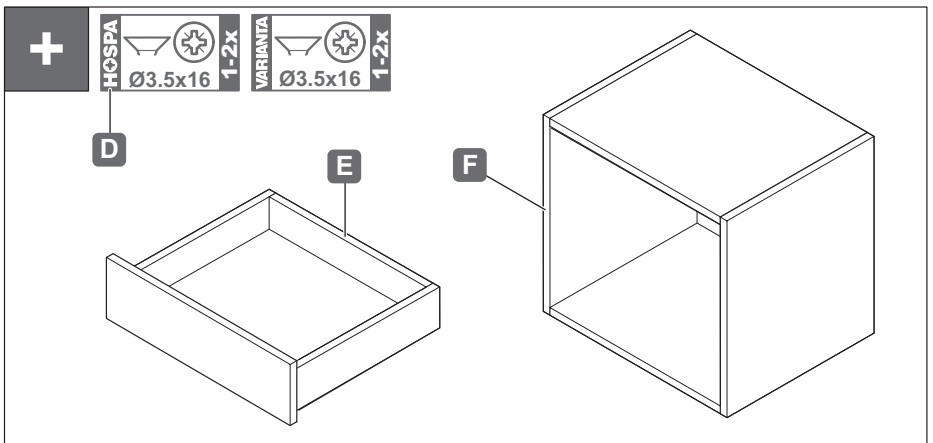
Matrix Runner UM A 25 / 30

433.03.02x
433.03.12x
433.03.42x

433.03.52x
433.04.12x



732.24.522



HDE 20.07.2023

i



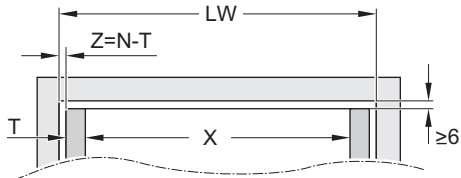
Ø 21x15
Ø 30x15



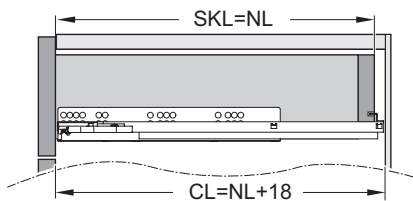
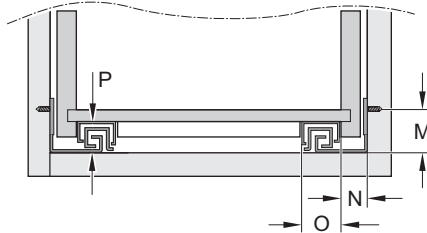
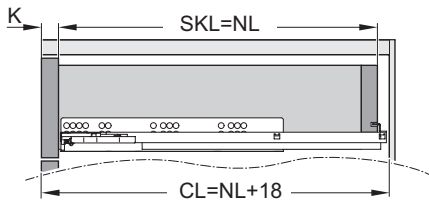
Ø 6
Ø 7



„mm“

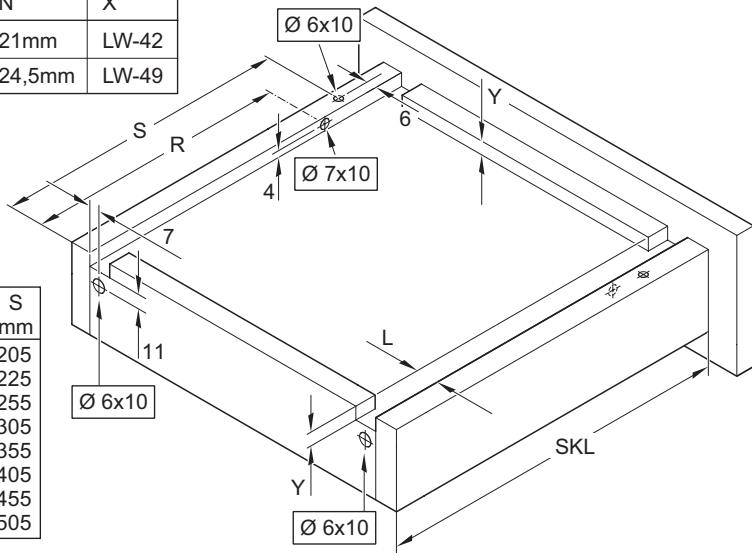


T ≤ 16 mm



	L=21mm	M=32mm	O=18mm	P=22,5mm	Y=9mm
	L=30mm	M=36,5mm	O=26,6mm	P=27,5mm	9mm ≤ Y ≤ 11mm

T	N	X
16mm	21mm	LW-42
19mm	24,5mm	LW-49



SKL mm	R mm	S mm
250	185	205
270	205	225
300	235	255
350	285	305
400	335	355
450	385	405
500	435	455
550	485	505

732.24.522

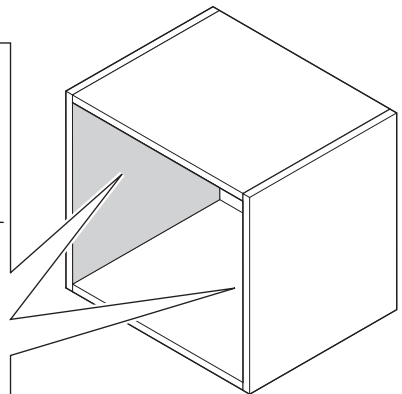
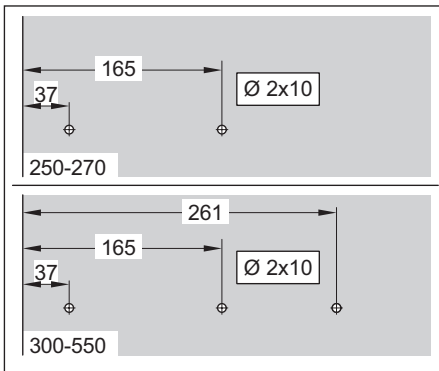
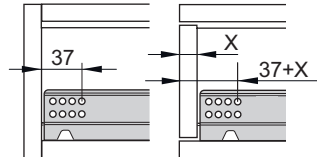
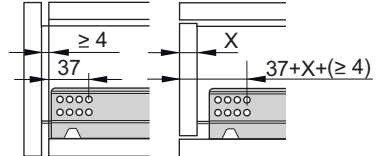
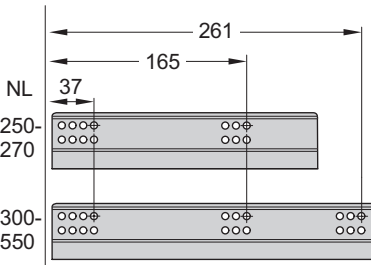
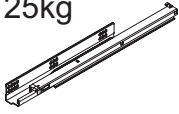
HDE 20.07.2023

i



„mm“

25kg

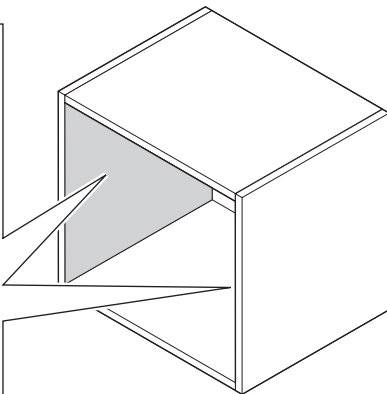
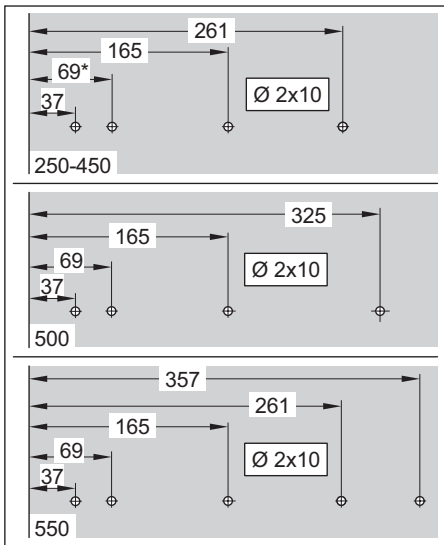
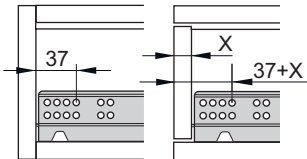
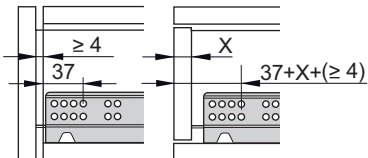
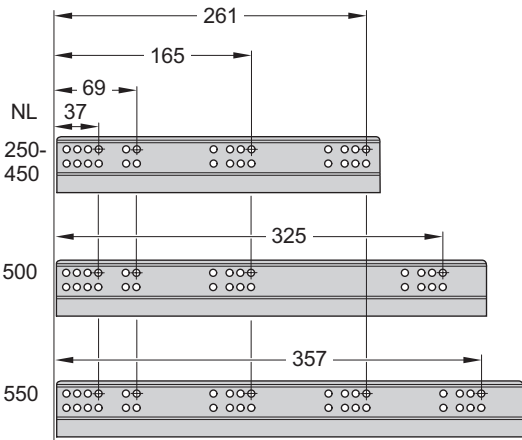
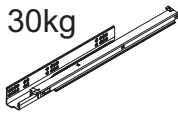


732.24.522

HDE 20.07.2023



30kg



732.24.522

HDE 20.07.2023

1



PZ 2

HCSPA



Ø3.5x16

4-10x

NL 250-270 - 25kg

A / B

A / B

4x D

6x D

NL 300-550 - 25kg

A

NL 250-450 - 30kg

A / B

B

8x D

A / B

NL 500 - 30kg

8x D

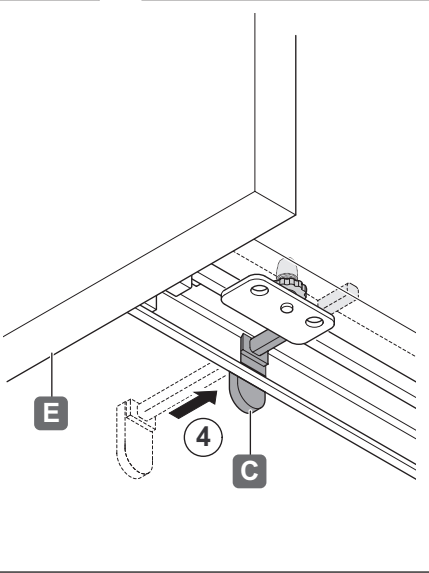
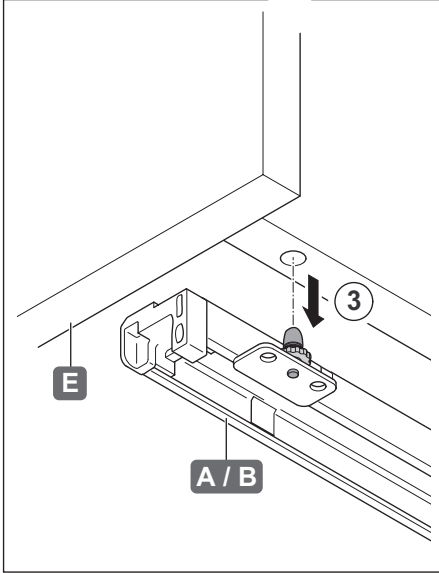
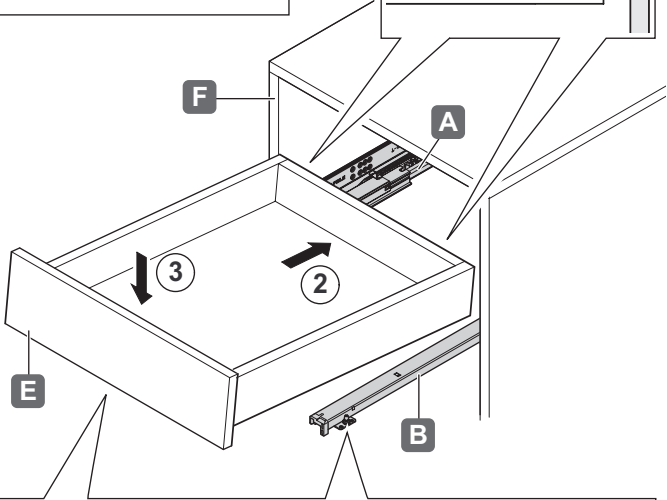
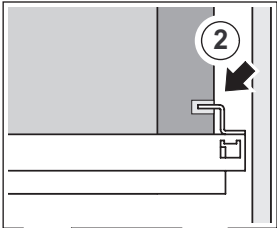
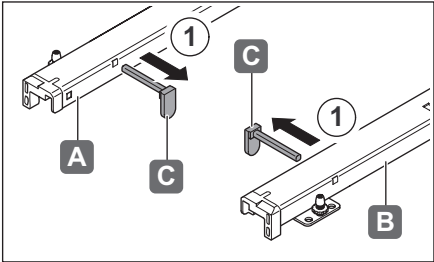
NL 550 - 30kg

10x D

732.24.522

HDE 20.07.2023

2

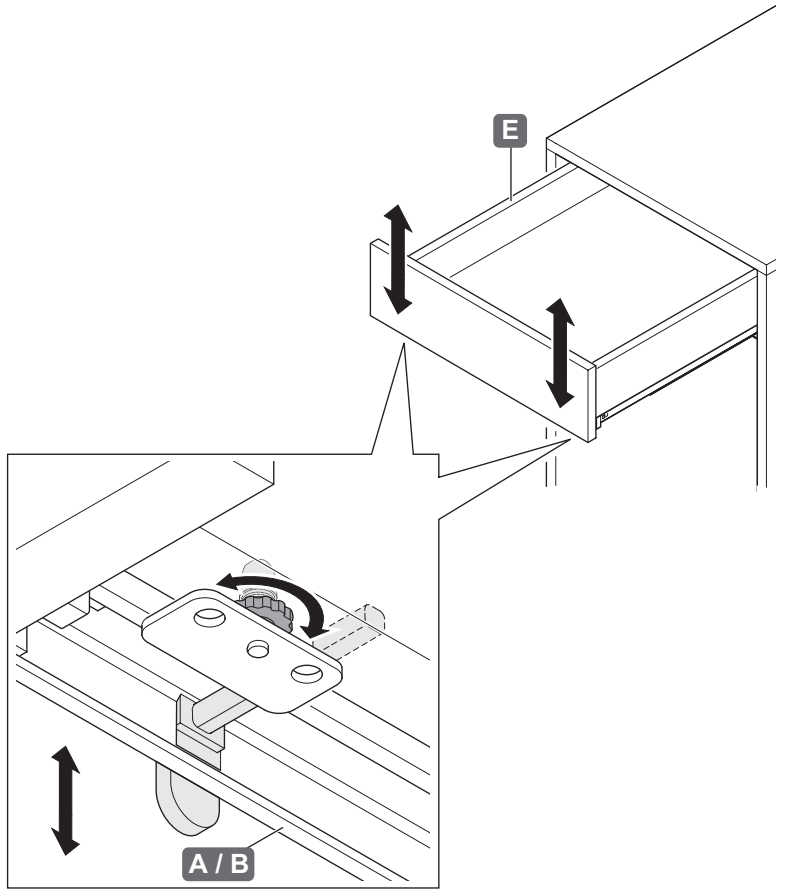


732.24.522

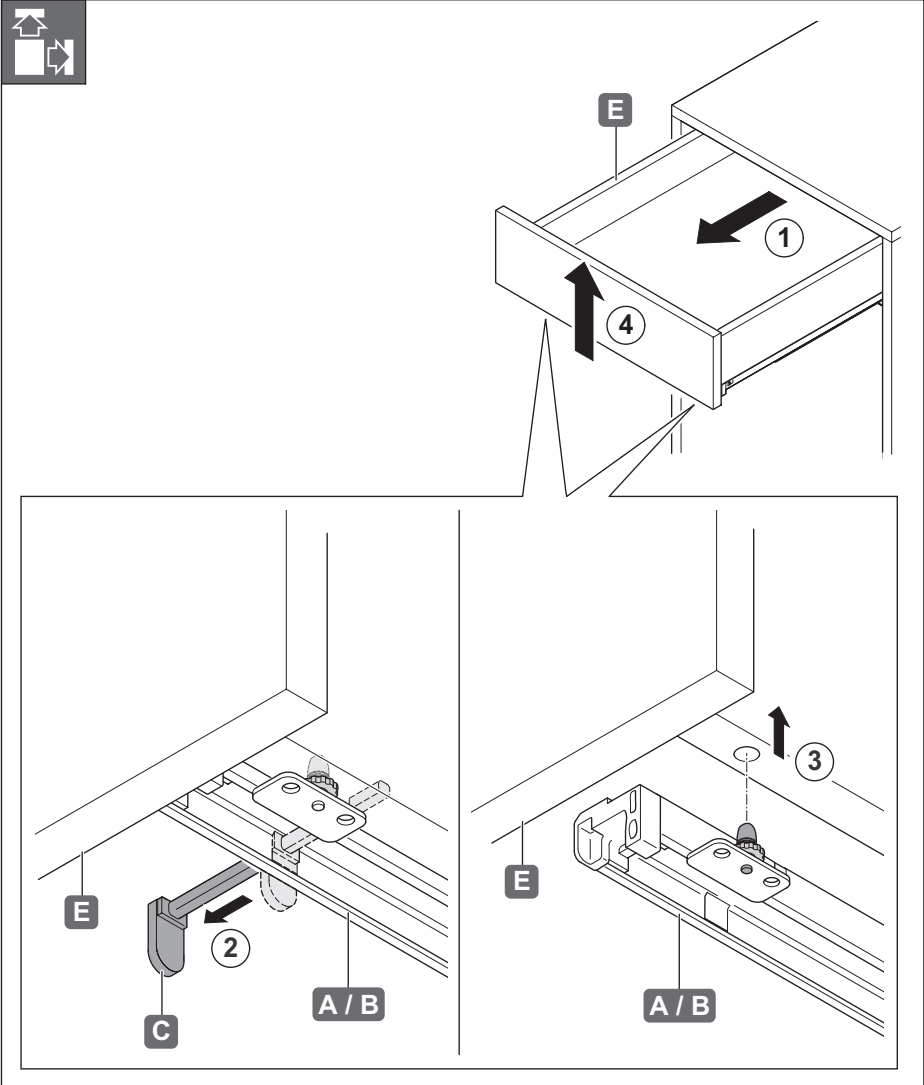
HDE 20.07.2023



732.24.522



HDE 20.07.2023



732.24.522

HDE 20.07.2023