



Connect Mesh Interface

850.00.046



	V	W	T _A	F	
850.00.046	80 - 240 V~ 50/60 Hz	< 1 W	10 °C - 50 °C 50 °F - 122 °F	 2.4 GHz 0.6 dBi	38.6 x 44 x 21 mm 1.52 x 1.73 x 0.83 in

732.28.453

i

1 

App
Häfele Connect Mesh

Android




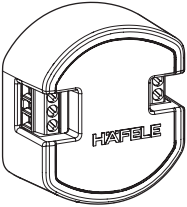
iOS

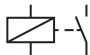


2 

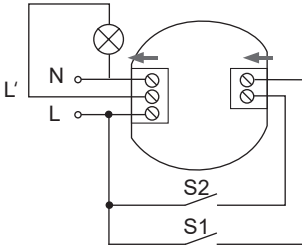








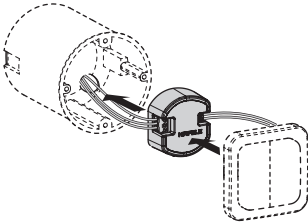
1 

240V / 3A



2 

	mm ²
5 mm	0.14 - 1.5 mm ²



HDE 12.12.2023

**DE**

Montage und Installation ausschließlich durch eine Elektrofachkraft oder eine Fachkraft im Möbelbau mit geeigneter fachlicher Ausbildung, mit Kenntnissen und Erfahrung, so dass sie Gefahren erkennen und vermeiden kann, die von der Elektrizität ausgehen können.

Hiermit erklärt die HÄFELE SE & Co KG, dass der Funkanlagentyp Connect Mesh Interface der Richtlinie 2014/53/EU entspricht.

Der vollständige Text der EU Konformitätserklärung ist unter der folgenden Internetadresse verfügbar:
<https://www.haefele.de/de/DOC>

EN

Assembly and installation must always be carried out by an electrical expert or furniture construction expert with suitable specialist training, knowledge and experience, so that the dangers involved in working with electricity can be recognised and avoided.

Hereby, HÄFELE SE & Co KG declares that the radio equipment type Connect Mesh Interface is in compliance with Directive 2014/53/EU.

The full text of the EU declaration of conformity is available at the following internet address:
<https://www.haefele.de/en/DOC>

FCC

“Changes or modifications not expressly approved by the manufacturer could void the user’s authority to operate the equipment”.

“This device complies with Part 15 of the FCC rules. Operation is subject to the following two conditions:

(1) This device may not cause harmful interference, and (2) this device must accept any interference received, including interference that may cause undesired operation.”

IC

“This device complies with Industry Canada licence-exempt RSS standard(s).

Operation is subject to the following two conditions: (1) This device may not interfere, and (2) this device must accept any interference, including interference that may cause undesired operation of the device.”

“Le présent appareil est conforme aux CNR d’Industrie Canada applicables aux appareils radio exempts de licence. L’exploitation est autorisée aux deux conditions suivantes : (1) l’appareil ne doit pas produire de brouillage, et (2) l’utilisateur de l’appareil doit accepter tout brouillage radioélectrique subi, même si le brouillage est susceptible d’en compromettre le fonctionnement.”

The Bluetooth® word mark and logos are registered trademarks owned by Bluetooth SIG, Inc. and any use of such marks by Häfele SE & Co KG is under license. Other trademarks and trade names are those of their respective owners.

732.28.453

HDE.12.12.2023